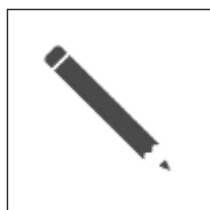


Simple Bold

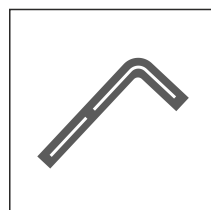
Assembling instructions

CARVART®
BY LUCONI
ITALIAN DESIGN

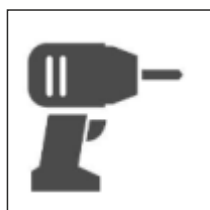
TOOLS REQUIRED



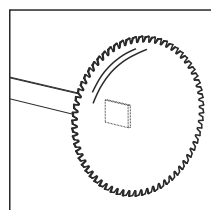
PEN / PENSIL



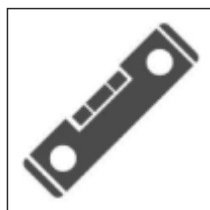
ALLEN KEY 7/64" - 1/8" - 5/32 - 1/4"



POWER DRILL
(with hammer action)



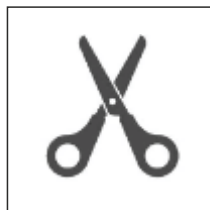
SAW (warehouse style option)



SPIRIT LEVEL



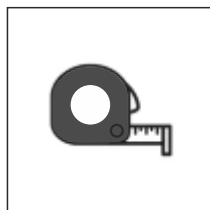
SCREWDRIVER (flat / cross head)



SCISSOR / KNIFE



LUCONI WRENCH (adjust lever foot)



TAPE MEASURE

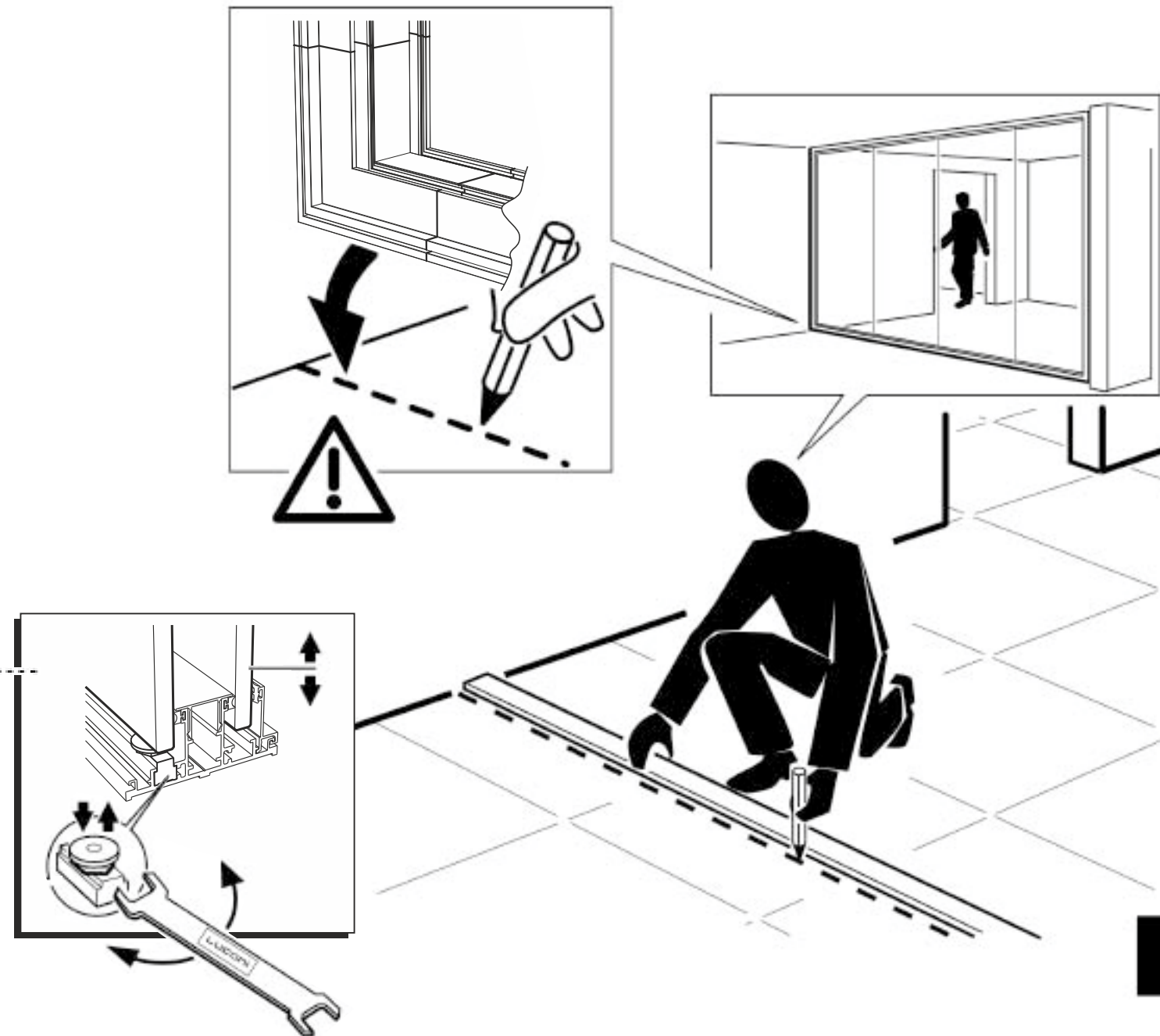
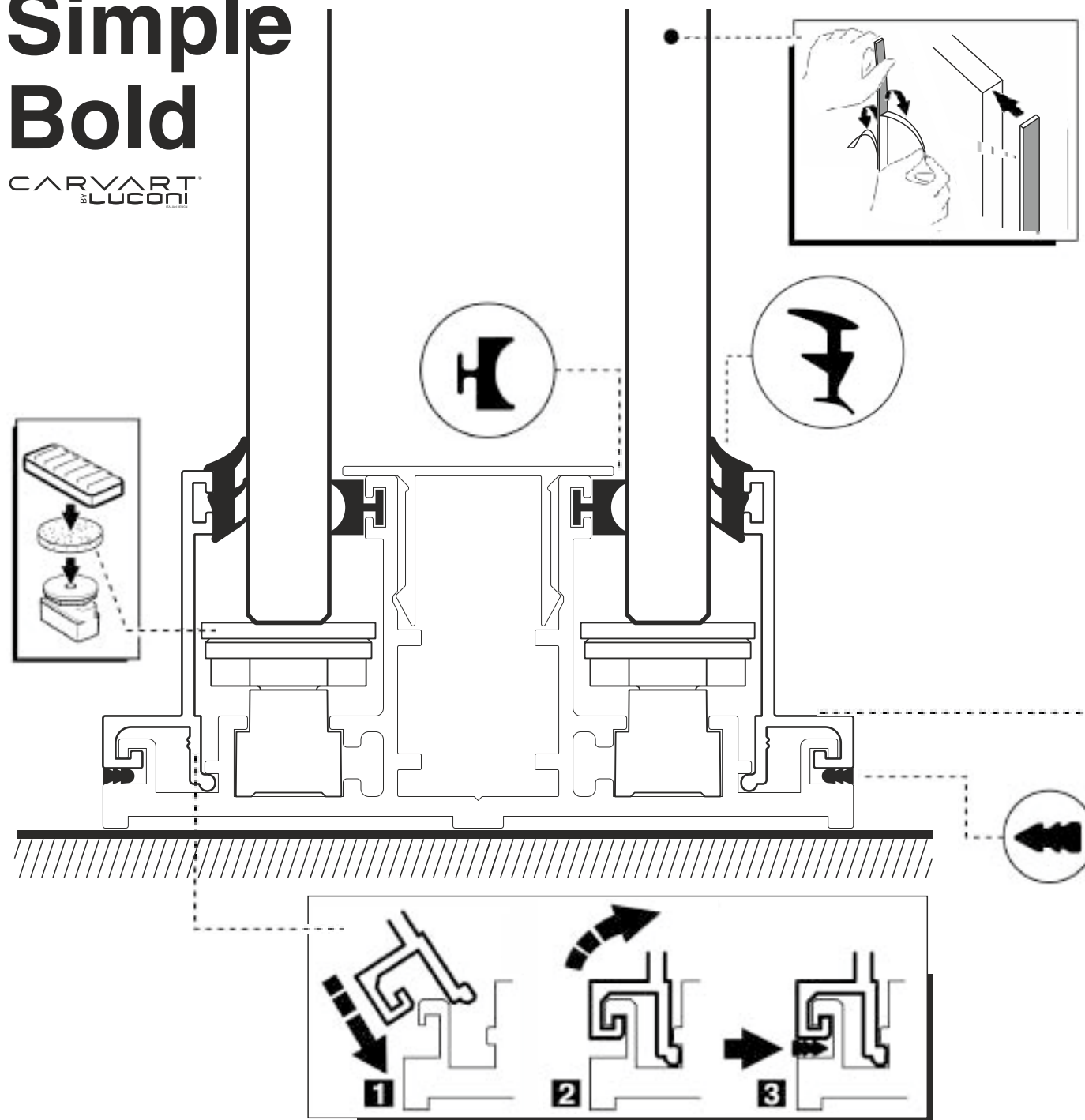


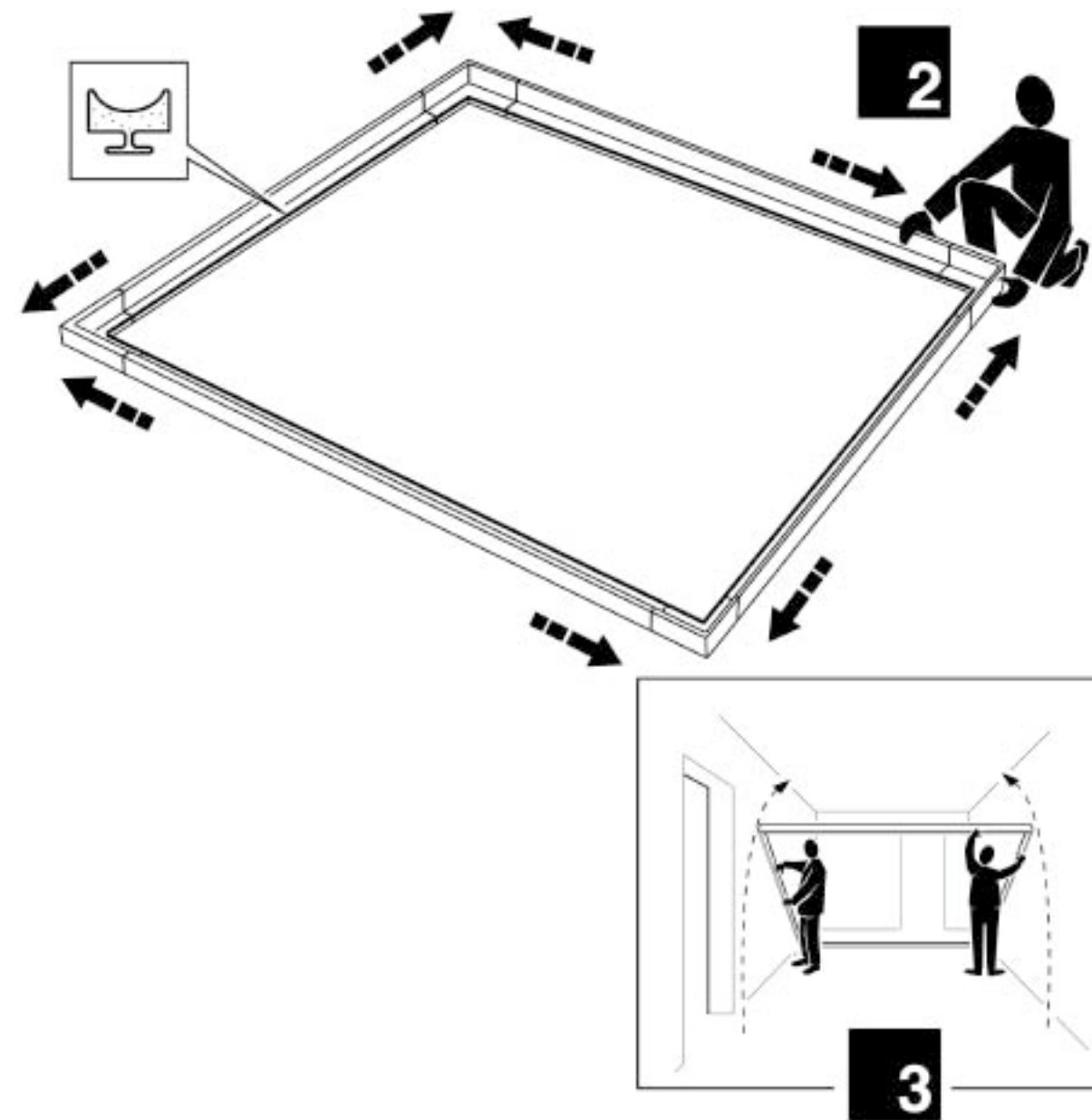
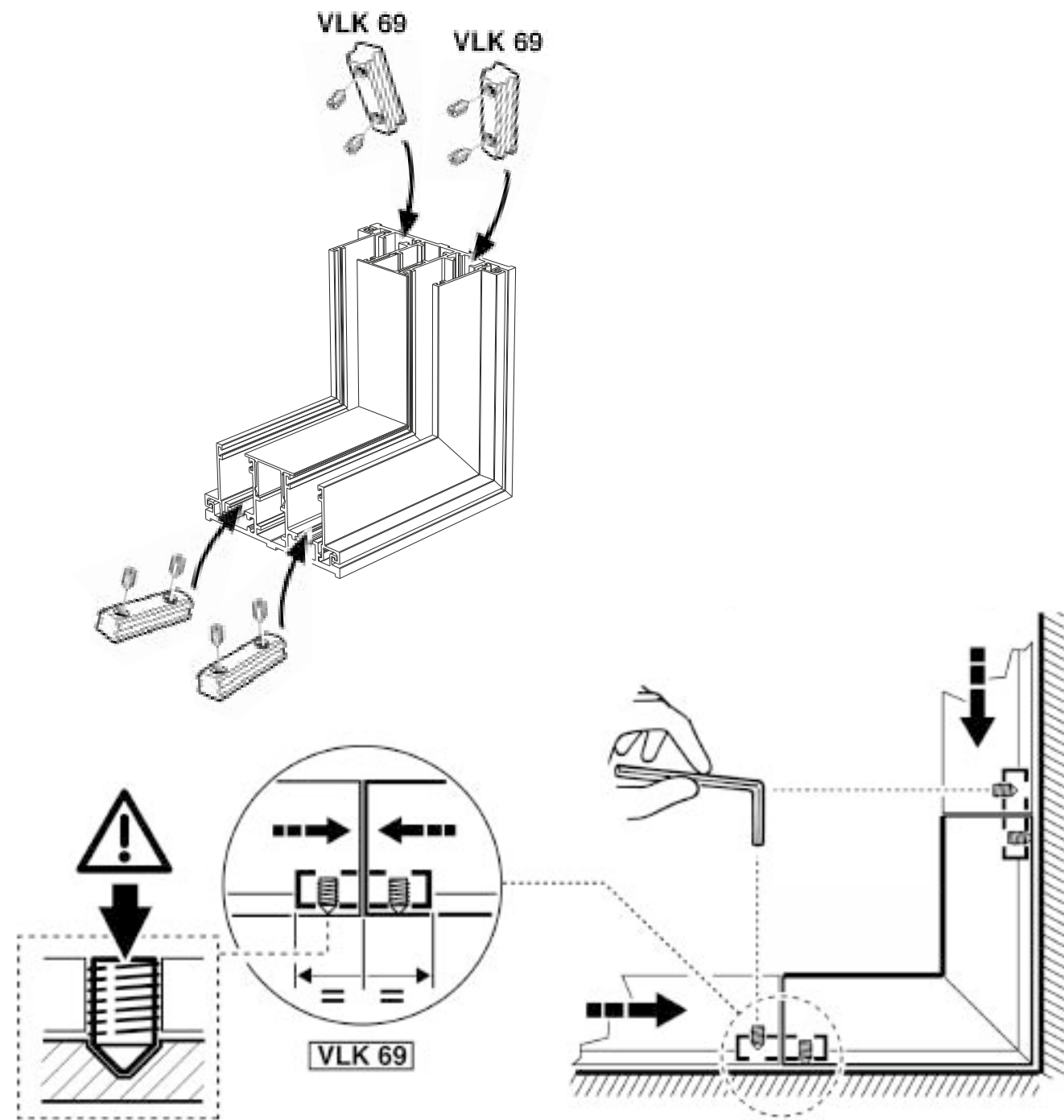
LUCONI TOOL (open blocking spring)

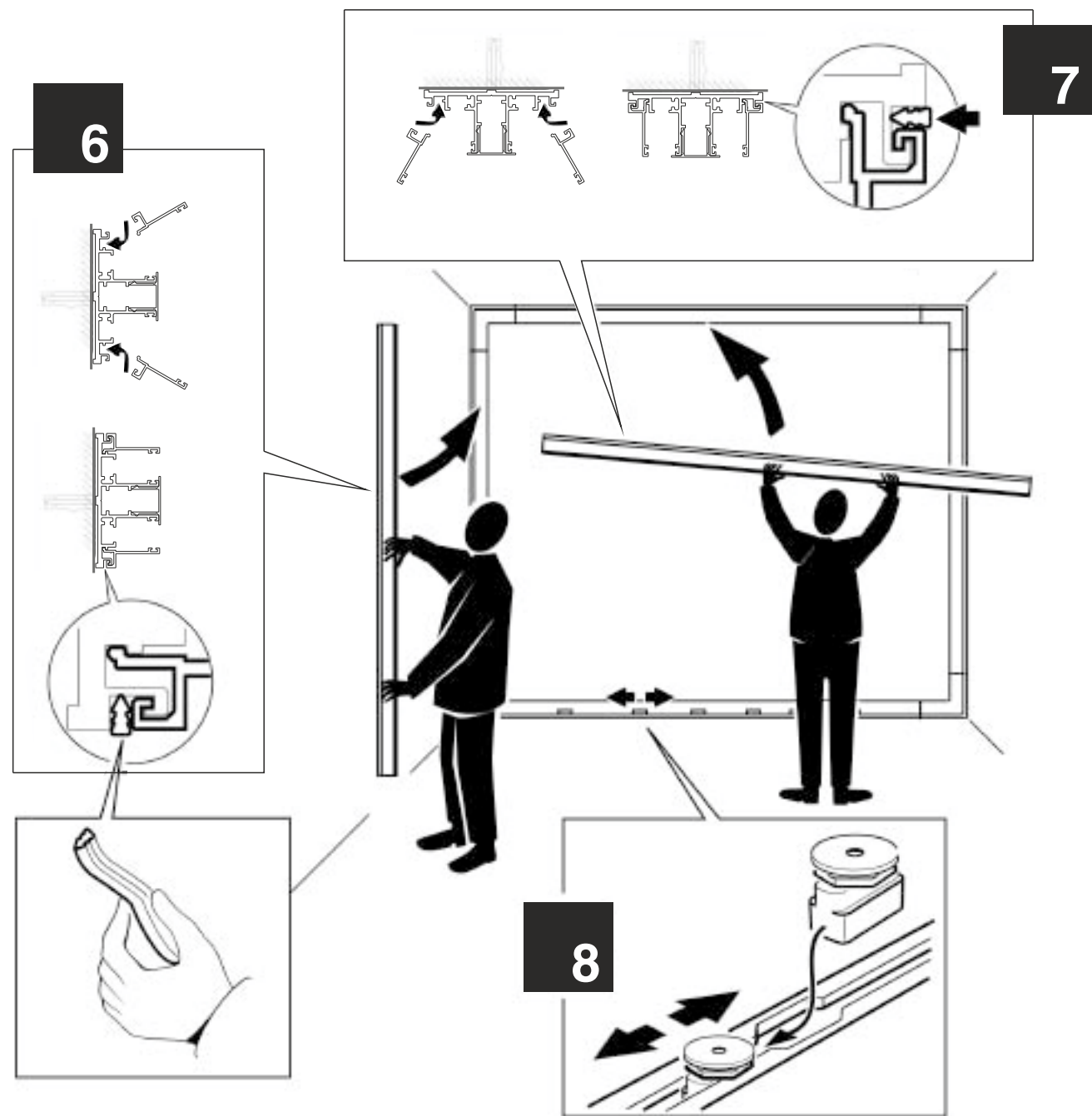
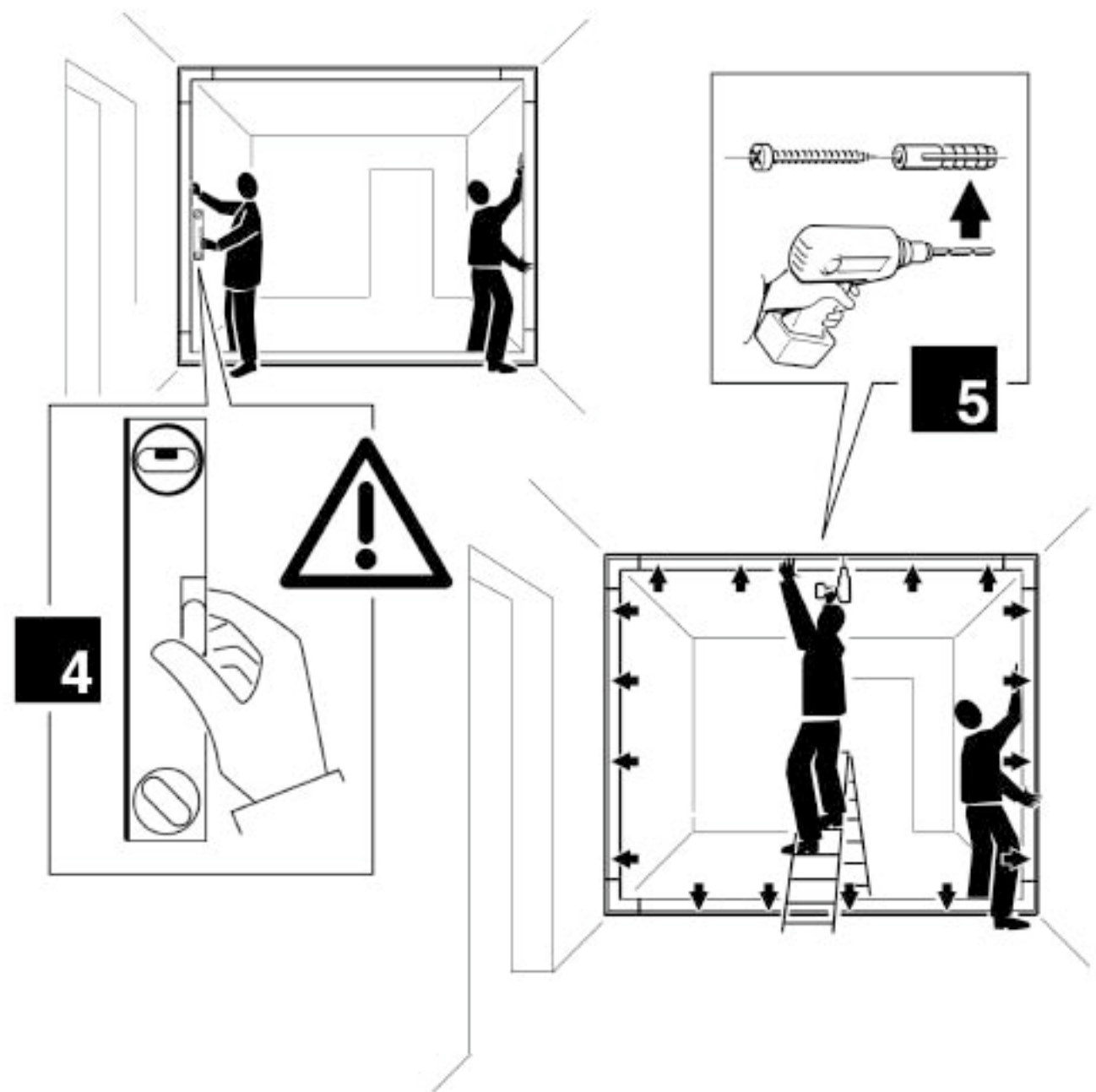
Anchors and silicone by installer. Set screws and internal fasteners by Carvart.

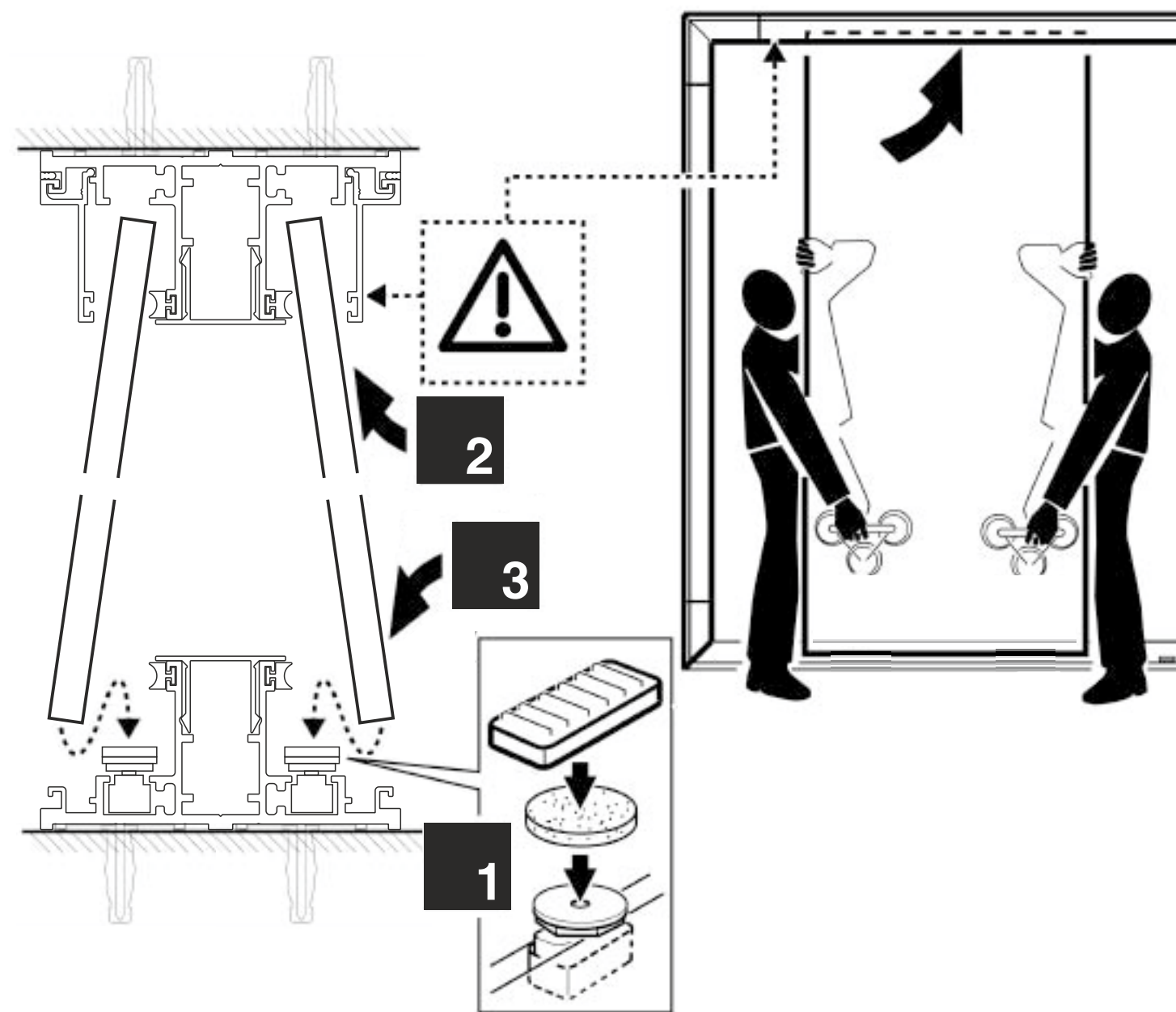
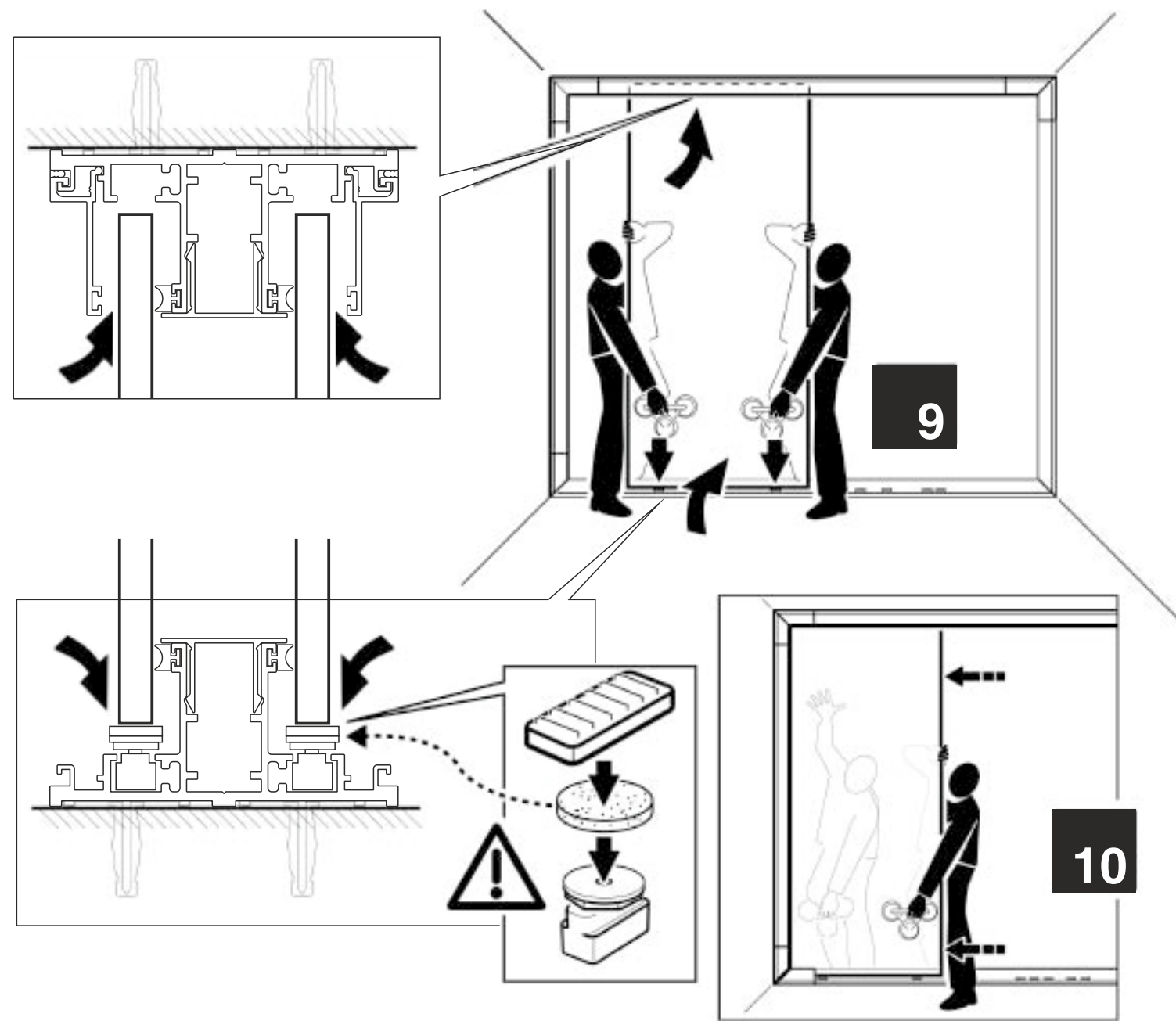
Simple Bold

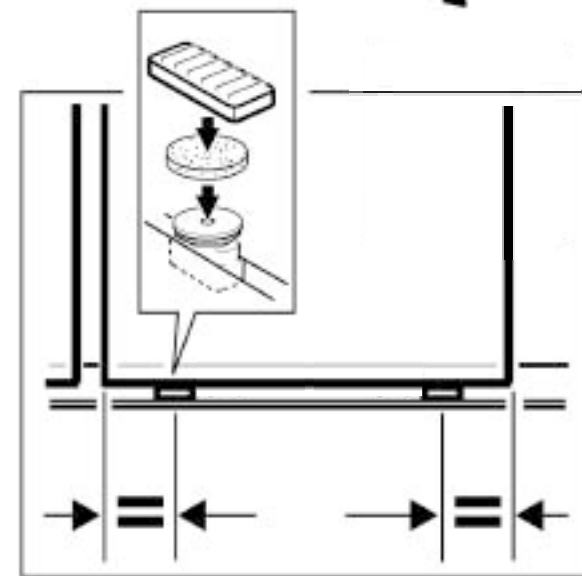
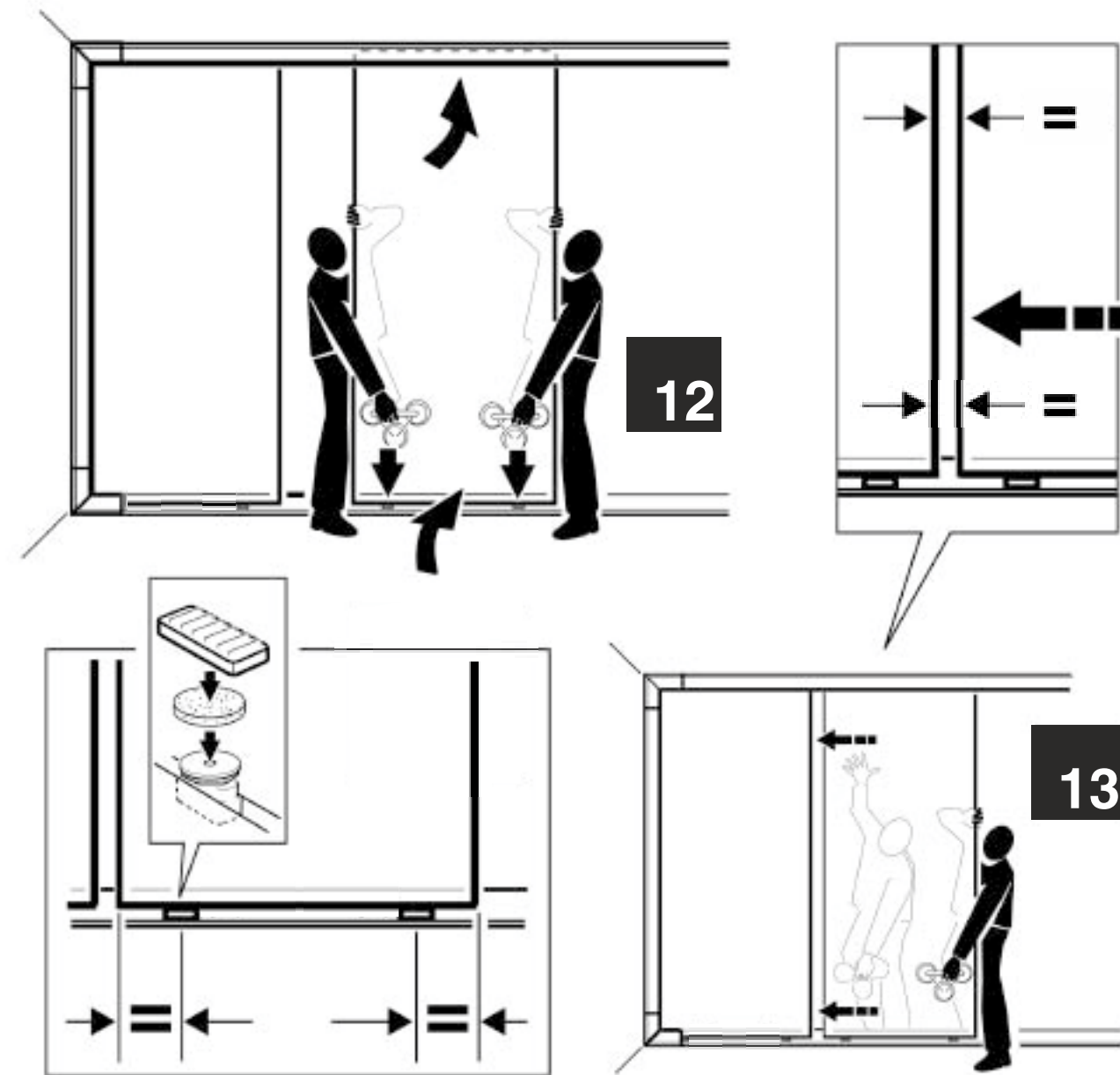
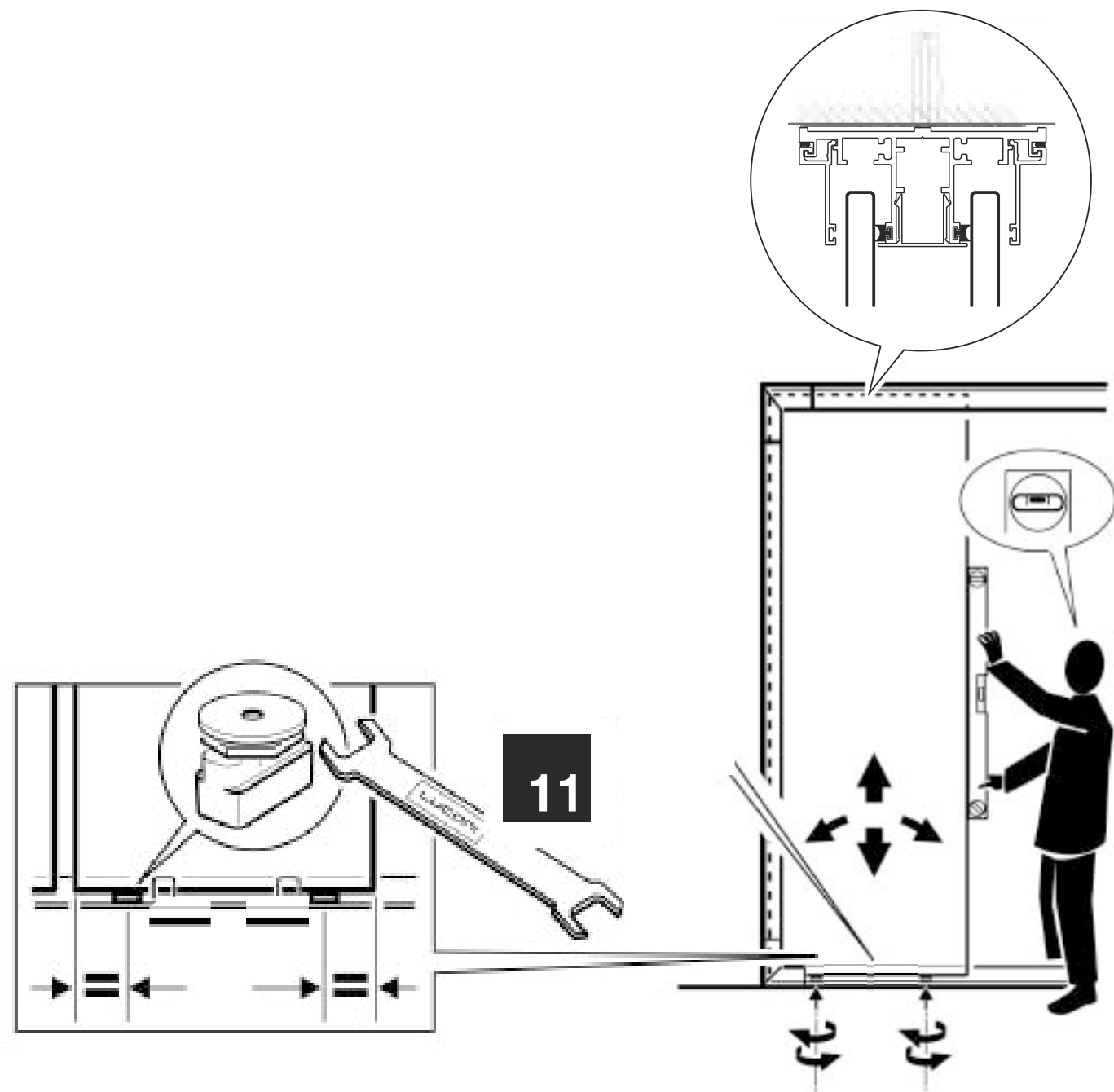
CARVART
by LUCONI

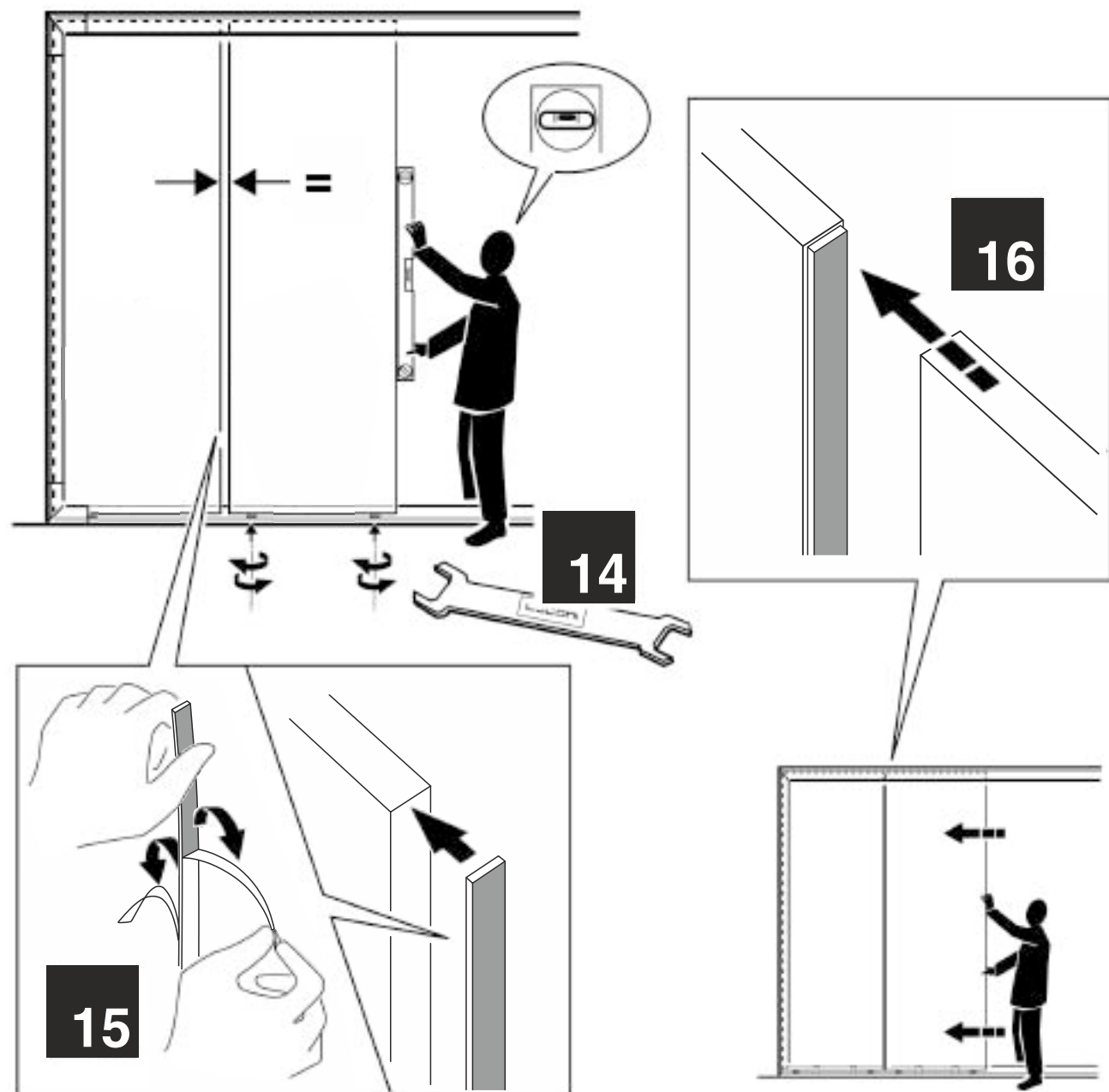




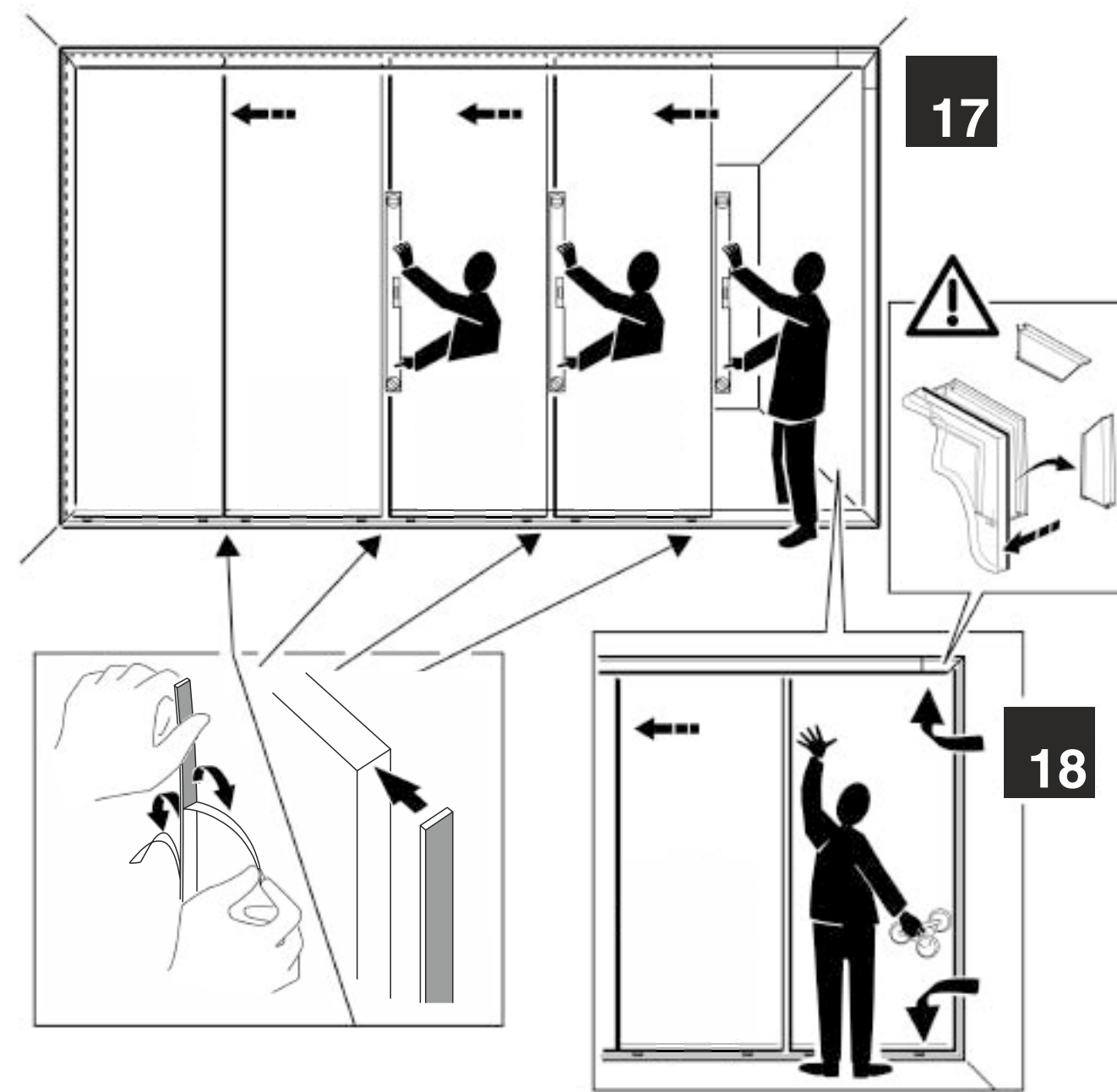


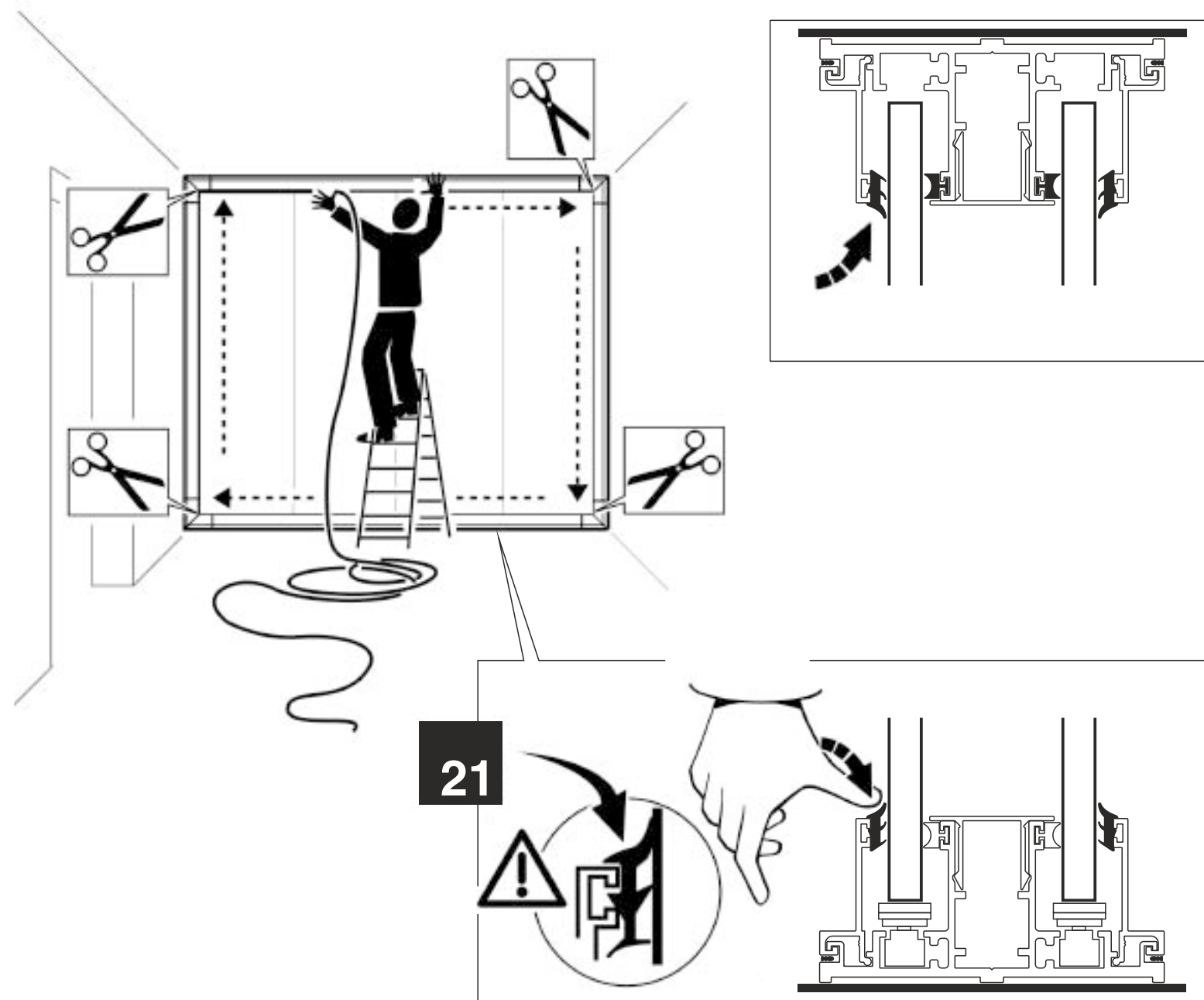
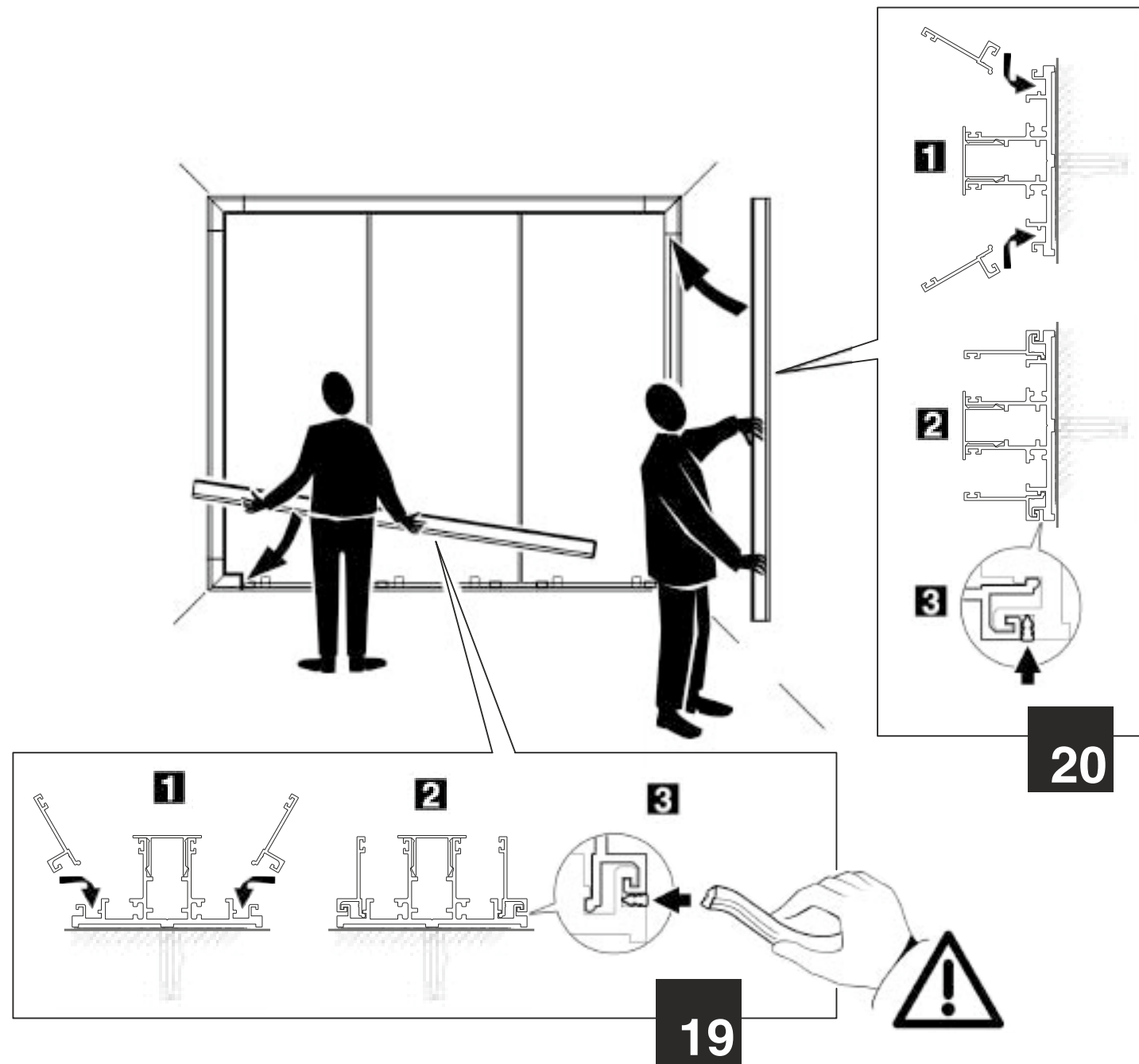


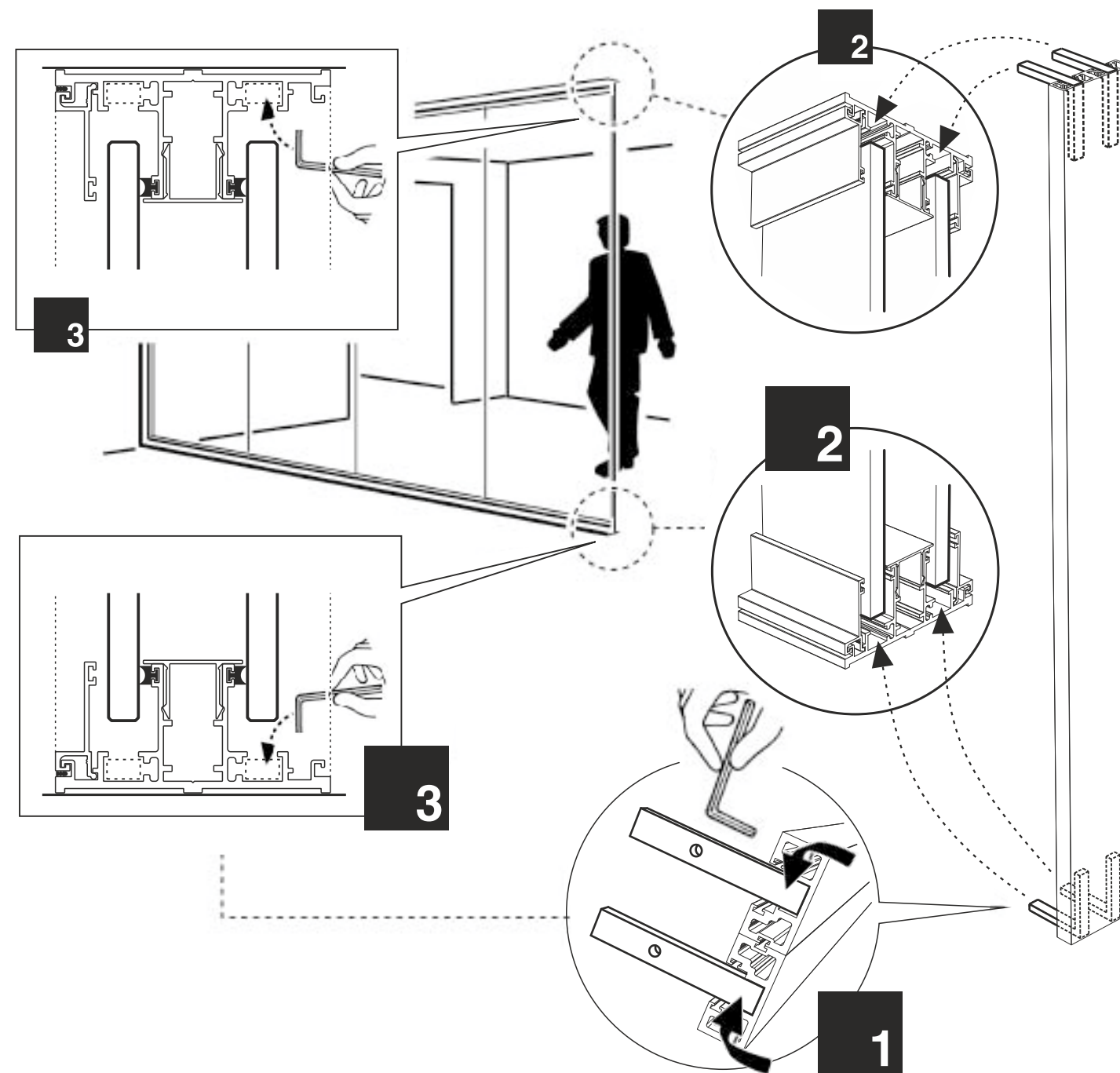
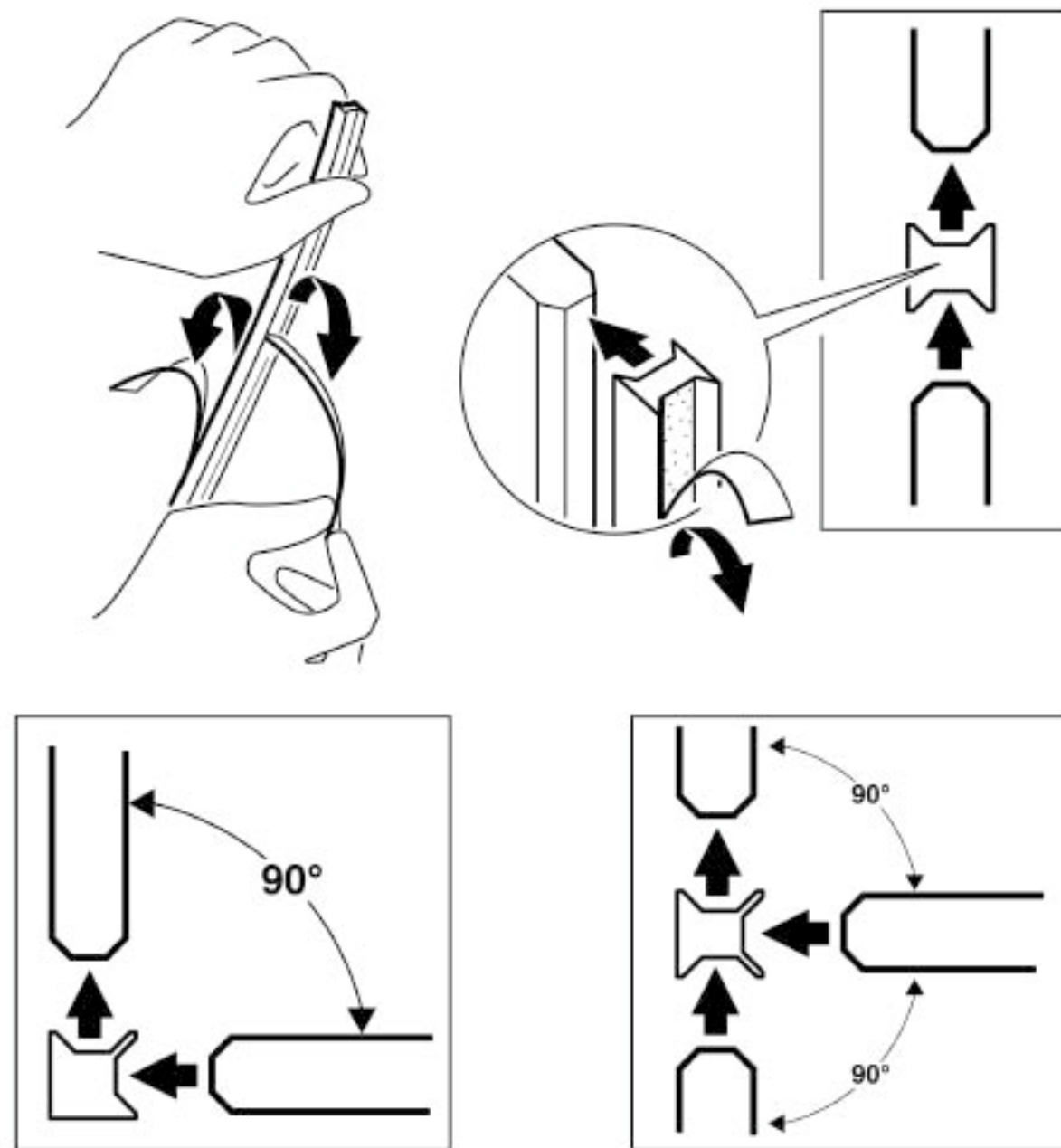


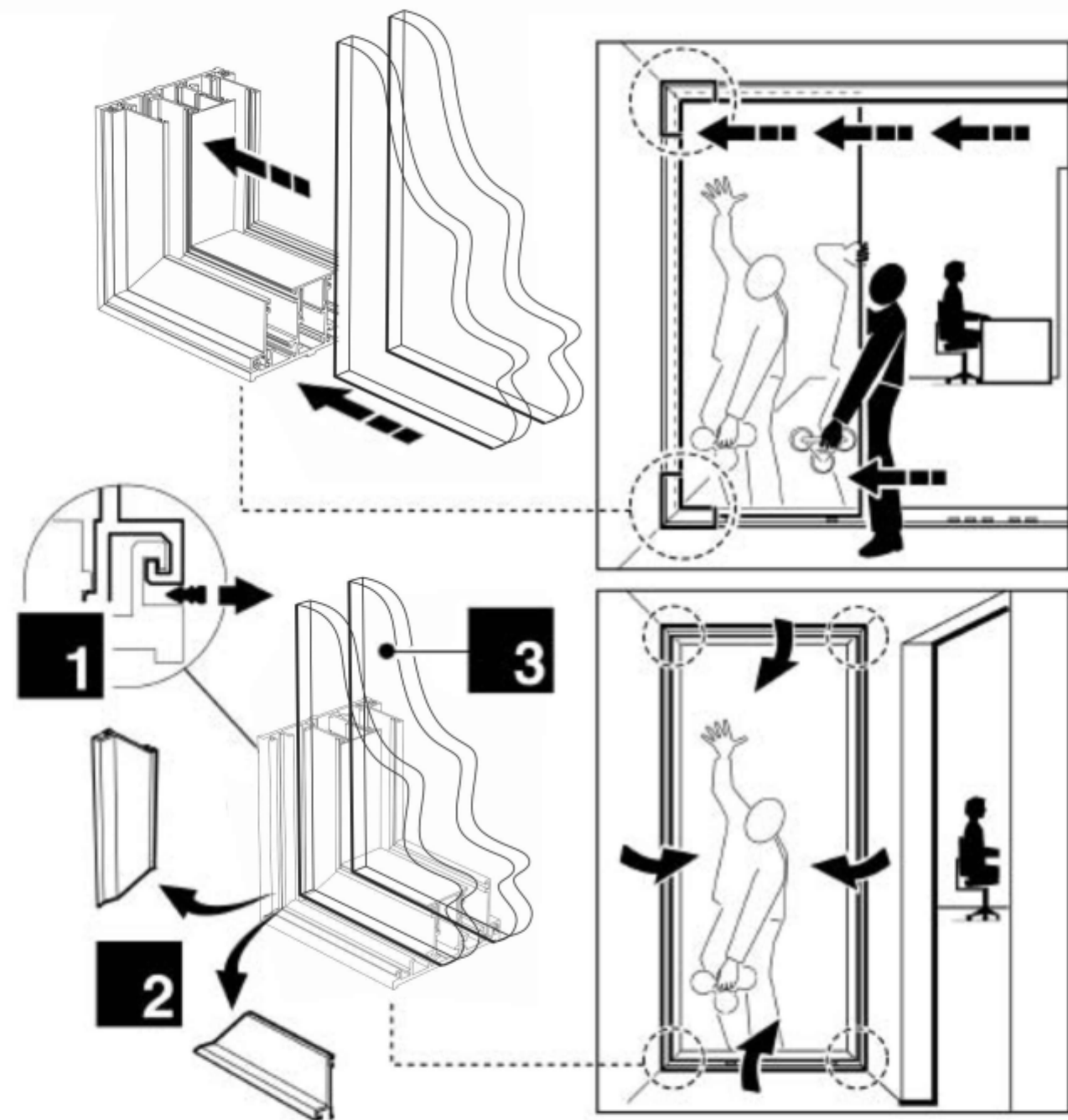


! USE DOUBLE SIDED TAPE OR POLYCARBONATE VERTICAL PROFILES, IN BASE TO THE PROJECT SPECIFICATIONS.

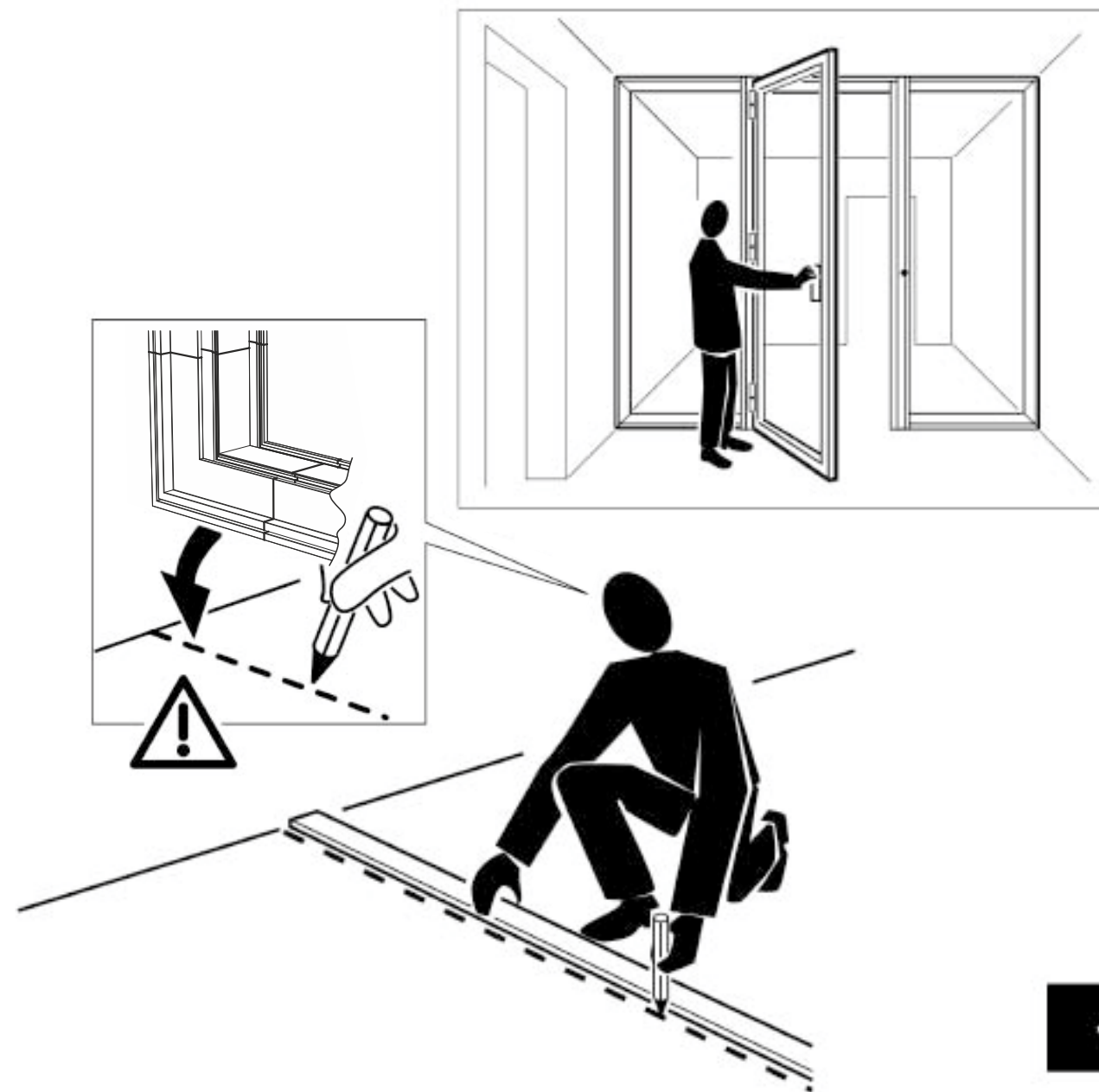








HINGED DOOR



1

