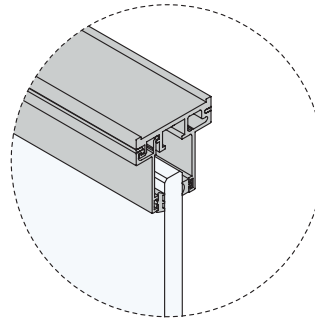


glassWALLS>Simple

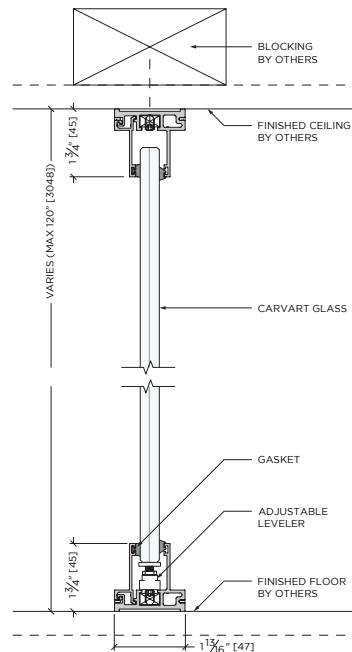
GW-SIMP-PF



TYPICAL INSTALLATION



3D ISOMETRIC VIEW



TYPICAL VERTICAL SECTION

Specifications

WALLS>glassWALLS>Simple

The Simple Frame office front system offers a design alternative to our Slim profile but includes the same easy-to-install two-piece channel that enables easy adjustability of glass panels resulting in lower labor costs and any chance of improper glass alignment. The system is completely dry-glazed and comes with all the needed extrusions and components to complete any office front layout without the need for messy silicone.

APPLICATIONS —

Office separation, open space configurations, door and opening division, space division between offices, conference rooms or flex-space.

CONFIGURATIONS —

Straight runs, endless fixed panels, custom angles and configurations, various heights, fronts only, 2-4 sided office arrangements.

DOOR OPTIONS —

Hinged, Pivot, Sliding Door integration available.

GLASS TYPES —

Tempered monolithic, laminated, tempered laminated.

GLASS THICKNESS —

Accommodates 3/8" nominal up to 1/2" nominal

HARDWARE MATERIALS / FINISHES —

Refer to Finish Chart
Brushed satin anodized aluminum, polished aluminum, boack, white, grey, midnight, charcoal, light grey, warm grey, champagne, terra cotta, blackened aluminum.

WARRANTY —

1 Year Limited Warranty

Specification Code: **GW-SIMP-PF**

GW	SIMP	PF
LINE	TYPE	MODEL/ID