

glass TELESCOPIC > Framed > Single



CARVART offers three unique glassTELESCOPIC systems to choose from. Designers have the freedom to create spaces tailored to their specific needs, with a wide variety of glass (colors and finishes) and configurations (from minimalist and exposed to more concealed and private).

Dimensioned to custom-fit each project, CARVART's glassTELESCOPIC is engineered to install and operate efficiently. A synchronized option is available, enhancing smoother movement. Fixed panel extensions are available for oversized openings beyond typical slide range. Such versatile designs and applications cater to both architect and client specifications. With high-quality performance and durability, CARVART's glassTELESCOPIC is perfect for any space.

Specifications

glassTELESCOPIC > FRAMED > SINGLE (TELE-1FD)

CARVART's glassTELESCOPIC > Framed Single doors offer a sleek, durable and flexible solution perfect for virtually any opening. To maintain a minimal profile, top tracks are designed to stack directly next to each other. The wide range of mounting options such as surface, side, concealed and pocket mounts gives designers and architects flexibility when considering project specifications. The frame comes in a variety of powder-coated options, ensuring a customizable and durable sliding door solution.

VALUE-ADDED BENEFITS

- Minimal aluminum frame
- Durable and high-quality performance
- Efficient operation
- Easy install, with various mounting options
- Customizable sizing and flexible configuration options
- Turnkey solution including single-source glass, hardware and project services

FACILITY DESIGN APPLICATIONS

Door and opening division, space division between offices, conference rooms or flex-space.

CONFIGURATIONS

Straight runs, endless fixed panel and mirrored conditions.

FUNCTION

Sliding doors operate independently in single, double or triple configurations.

GLASS TYPES

Tempered monolithic.
Tempered laminated.

GLASS FINISHES — Refer to Finish chart

CARVART laminated transparent glass design options available: 01 Core, 02 Color, 03 Pattern, 04 Metallic, 05 Textile, 08 Gradient and 10 Covert.

SURFACES

Smooth glass.
Etched glass.

GLASS THICKNESS —

Refer to local code and structural requirements
Accommodates 1/4" nominal.

HARDWARE DIMENSIONS

Aluminum top track:
4-5/8" deep (2 panels min.) x 2" high nominal
Vertical frame: 3/4" wide x 1-3/4" deep
Horizontal frame: 1-9/16" high x 1-3/4" deep

HARDWARE MATERIALS/FINISHES —

Refer to Finish chart
Brushed satin anodized aluminum, polished aluminum, black, white, grey, midnight, charcoal, light grey, warm grey, champagne, terra cotta, blackened aluminum. (Custom powder-coated colors available upon request for additional cost).

WIDTHS — OVERALL MINIMUM/

MAXIMUM RANGE (inches):
Glass panels: Minimum 26". Maximum 39".
Maximum opening lengths (operable): 24 feet (in triple mirrored condition).
Maximum opening length (w/ fixed): Unlimited.

HEIGHTS — OVERALL MINIMUM/ MAXIMUM RANGE (inches):

Glass Panels: Minimum 18" height;
Maximum 102" height above finished floors.

MOUNTING FASTENERS

Final anchoring decision is client-directed or based on client structural consultant.
Mounting fasteners and anchors to be supplied by others.
CARVART advisory available.

WEIGHT & STRUCTURAL LOADS —

Consult local engineer for structural codes and requirements
Top rails for individual panels rated up to 200 lbs.
Linear per foot weights based on final glass type.
Overall weights available upon request for client structural calculations.
Refer to CARVART for technical consultation.

ADD-ON DESIGN OPTIONS —

Per specification and upcharges apply
Surface mounting, side mounting, concealed and pocket door mounting available.
Soft-close available for additional cost.
Structural angles for side-mounting available on request for additional cost.

CUSTOMIZATION

Custom dimensions per opening.

INSTALLATION

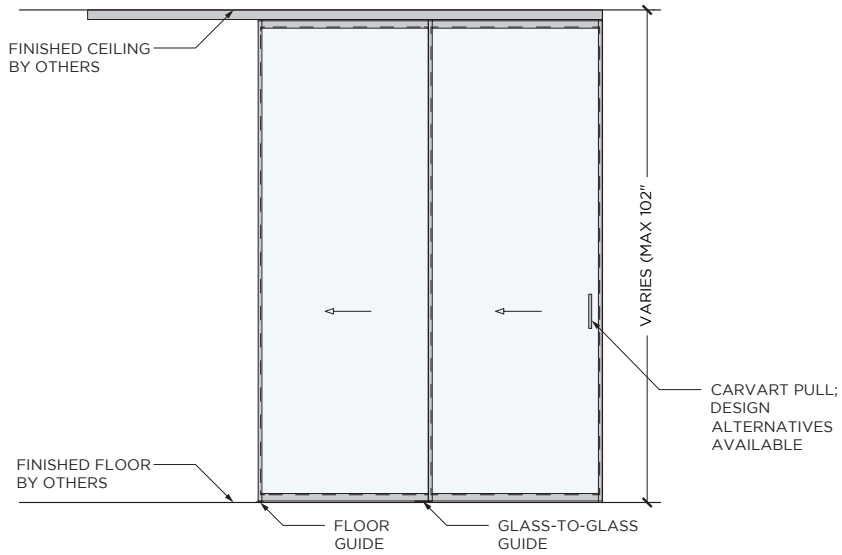
Pre-cut top track speeds up installation.
Requires trained and competent glazing or carpenter industry professionals.
Installation instructions, assistance and training available at time of order.
All hardware components, including doors, will be delivered knocked down and require assembly by a glazing industry professional. Certain glass and hardware finishes are available as pre-assembled products as called out in the glass and hardware finishes pages. Consult a CARVART agent for information on available pre-assembled components.

HARDWARE WARRANTY —

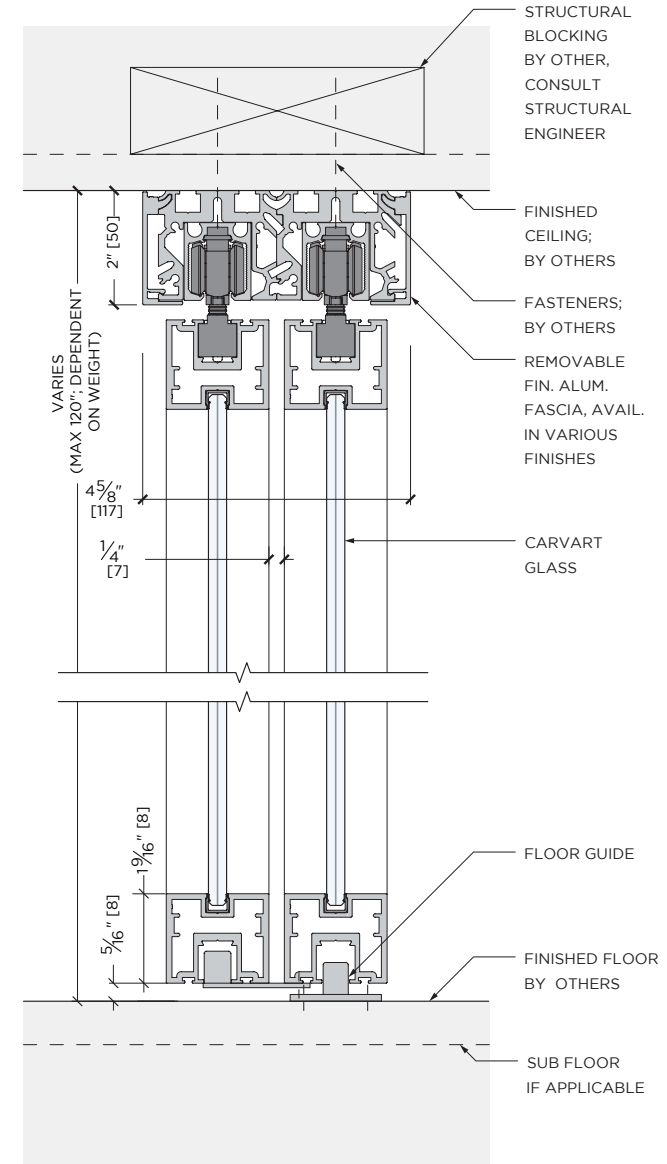
5-year limited warranty.

For more info, contact CARVART Sales Advisory Team at quotes@carvart.com or call us at 212 675 0030.

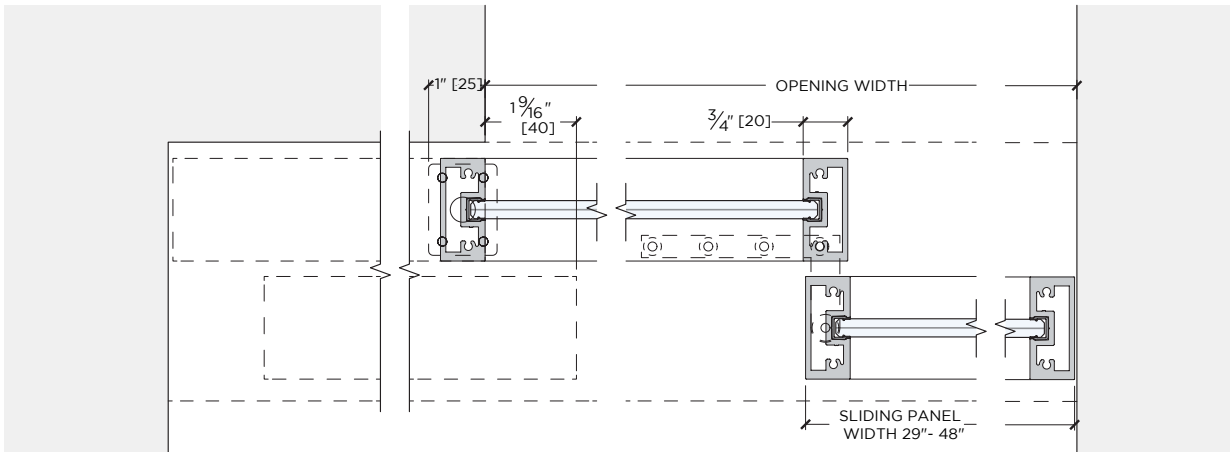
Details: 2x2 Top Mount



TYPICAL FRONT ELEVATION

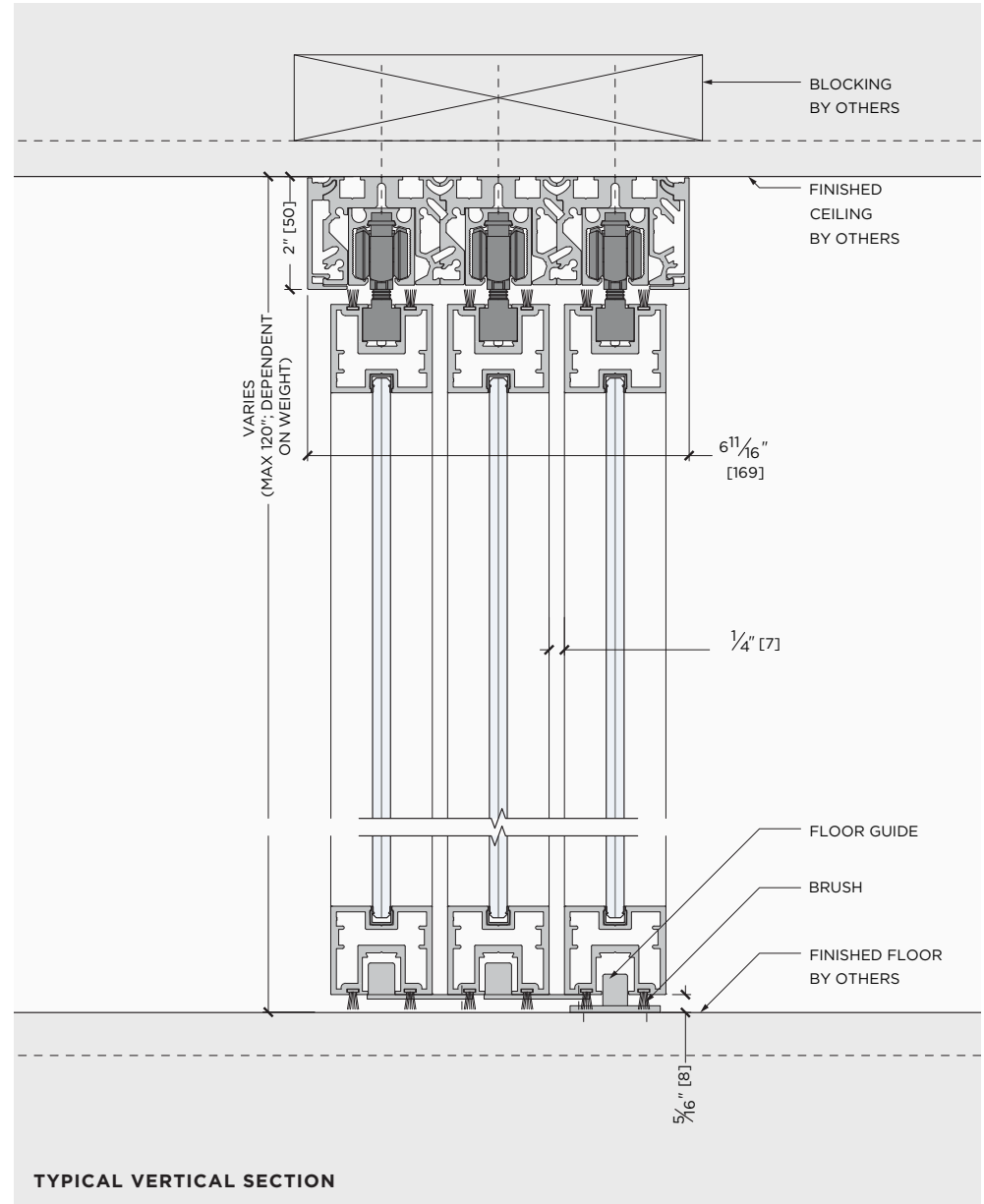
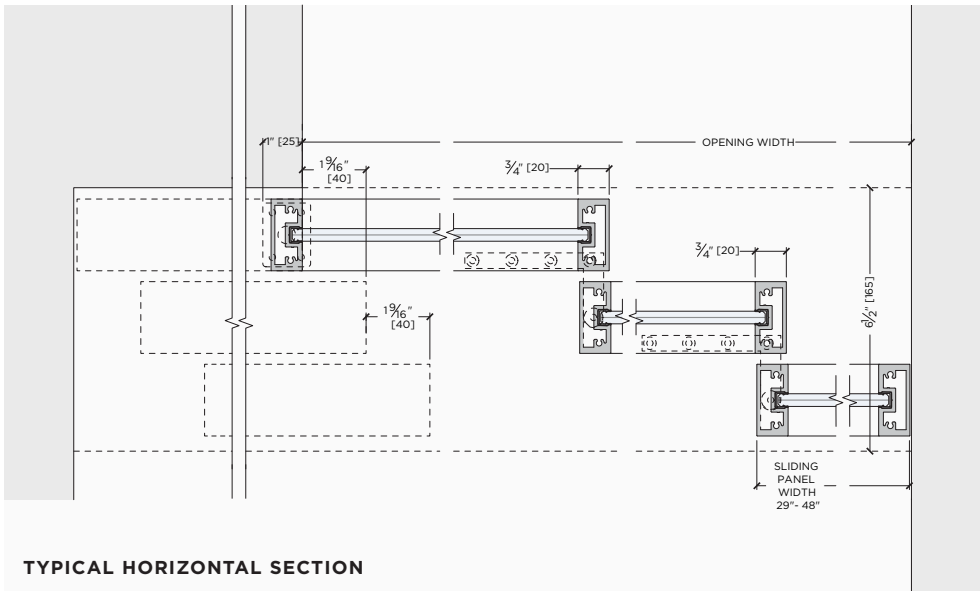
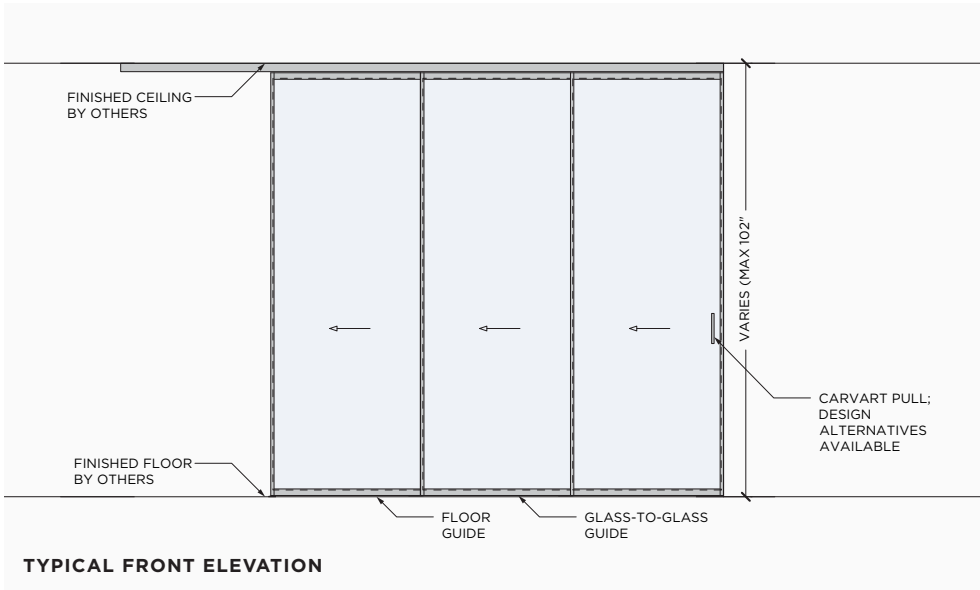


TYPICAL VERTICAL SECTION

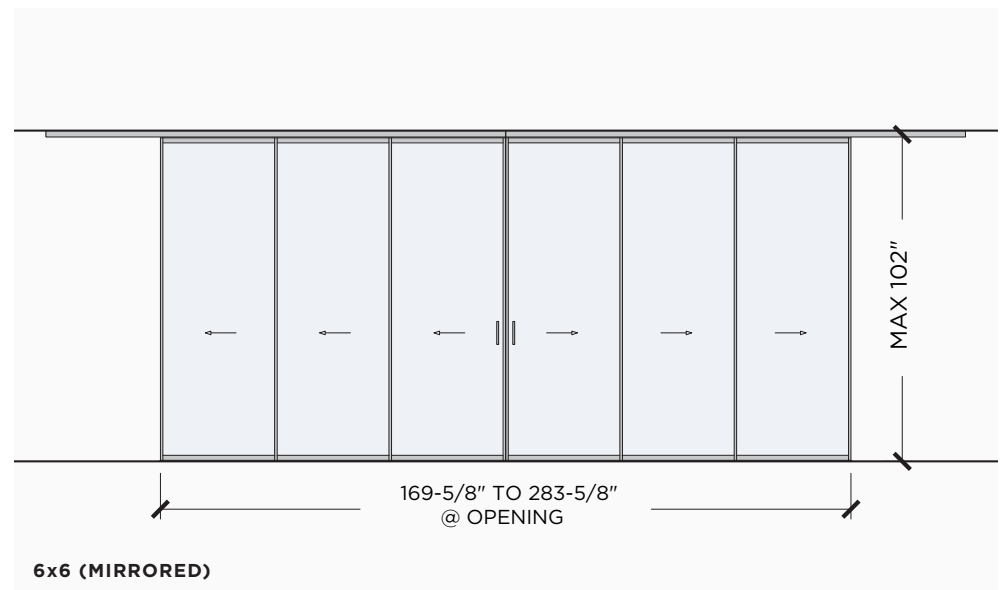
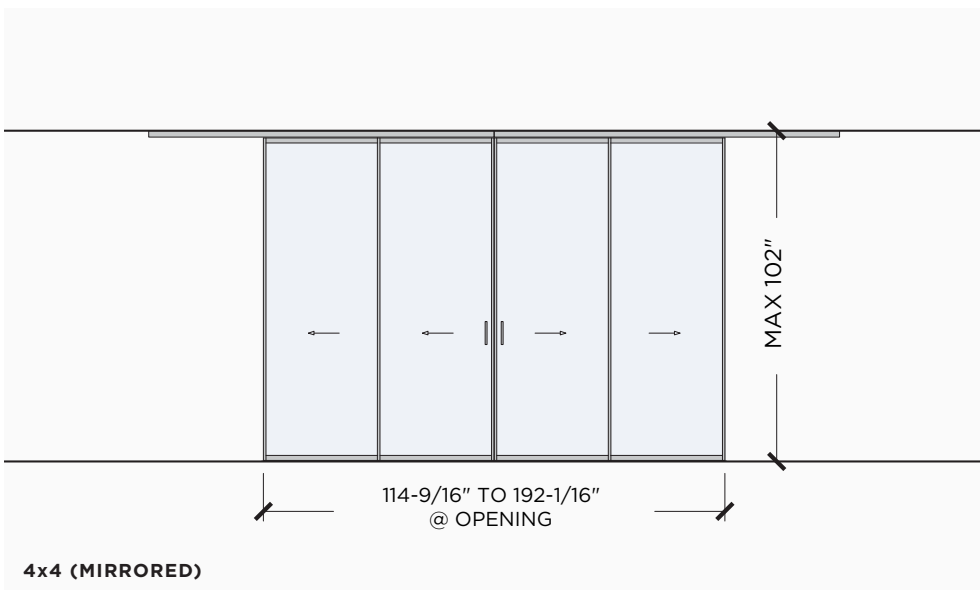
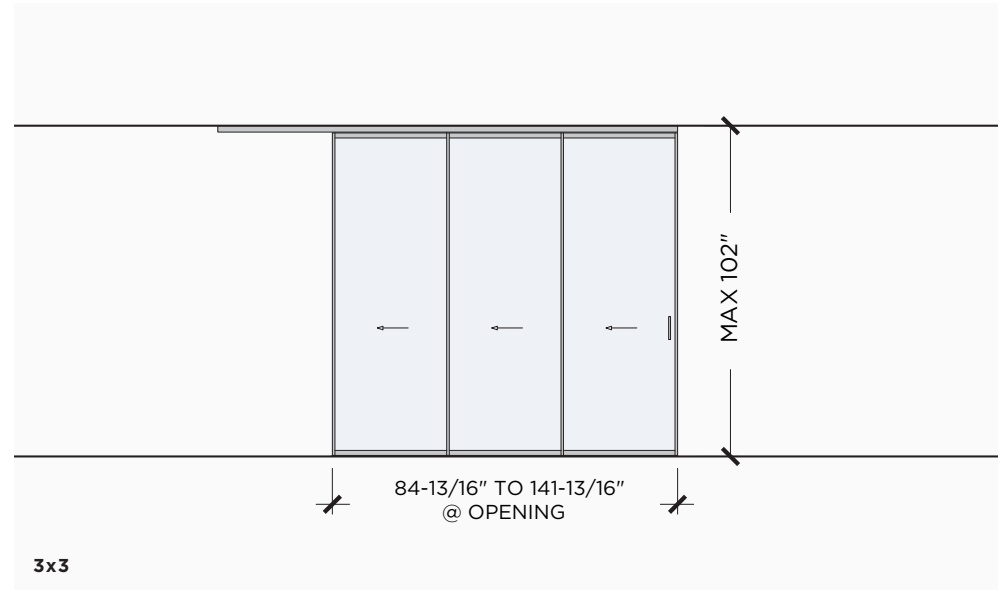
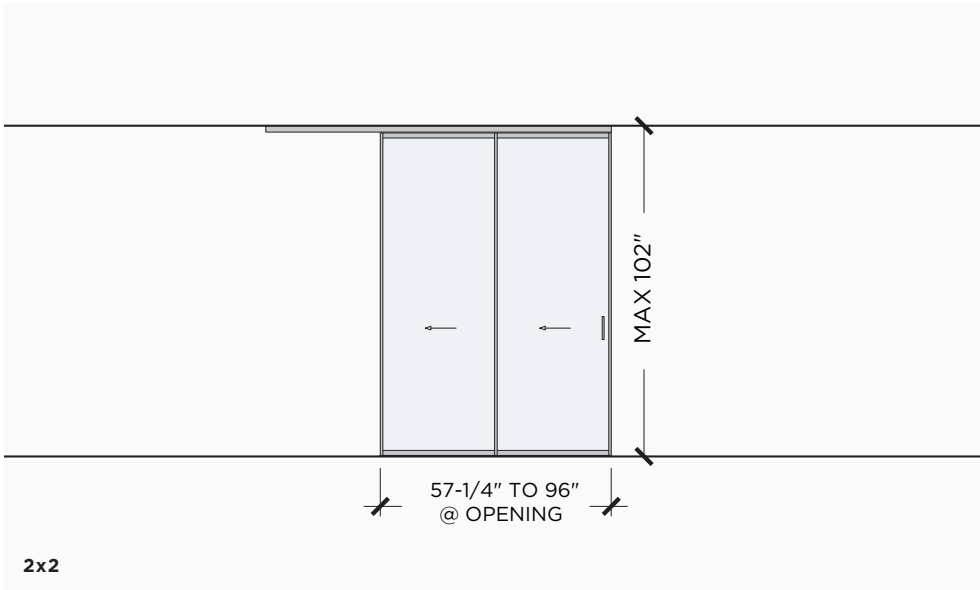


TYPICAL HORIZONTAL SECTION

Details: 3x3 Top Mount

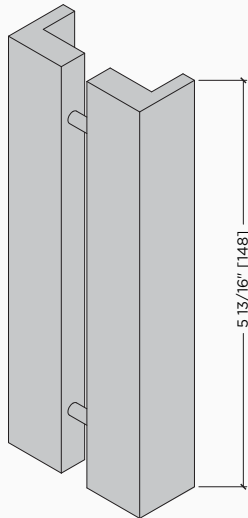
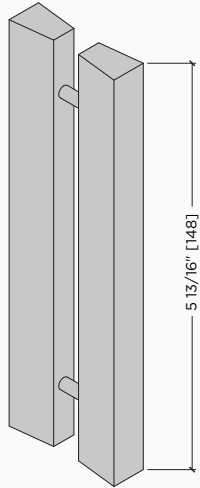


Options: Configurations



Options: Pulls

BAR PULLS



Ladder pulls available in:

- Multiple finishes (see chart)
- ADA configurations
- Locking/non-locking

LADDER PULLS



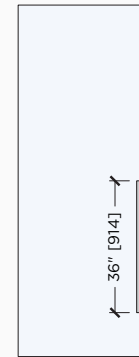
BACK-TO-BACK
NON-LOCKING



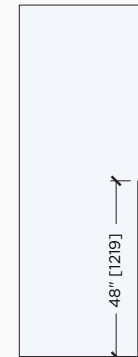
BACK-TO-BACK
LOCKING



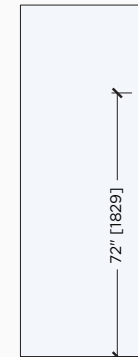
24"
NON-LOCKING



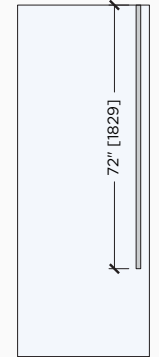
36"
NON-LOCKING



48"
LOCKING OR
NON-LOCKING

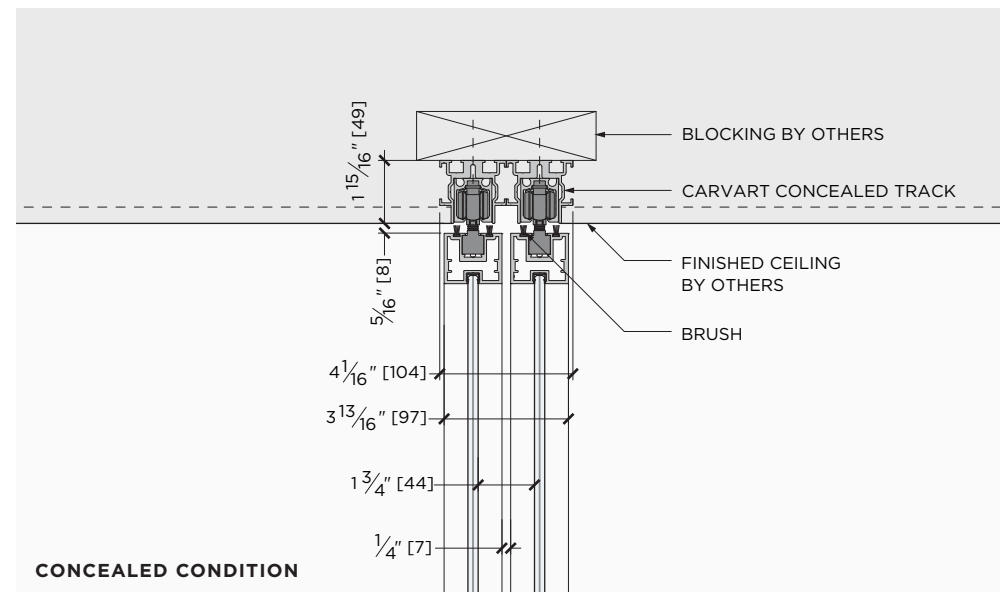
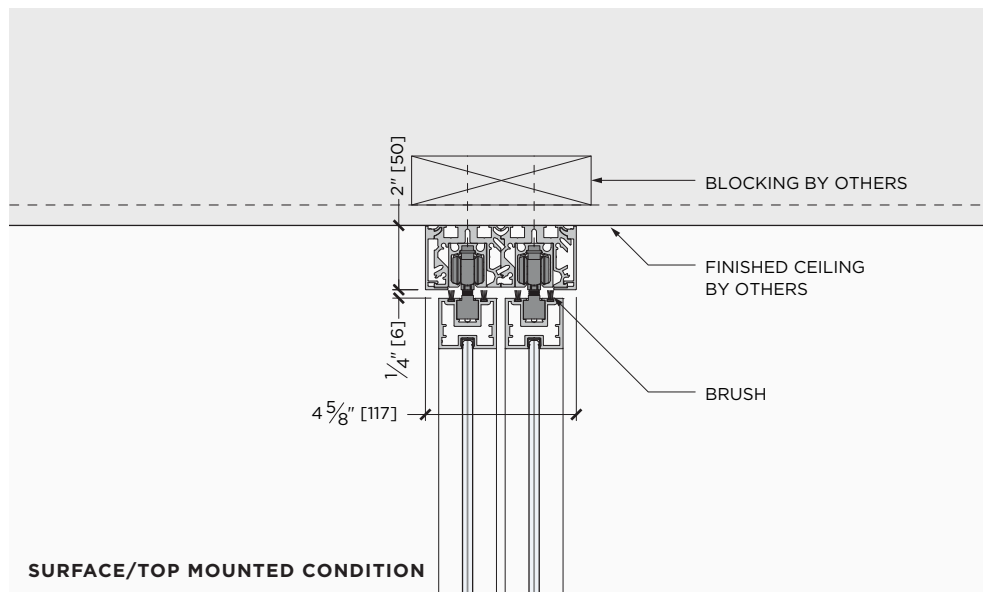
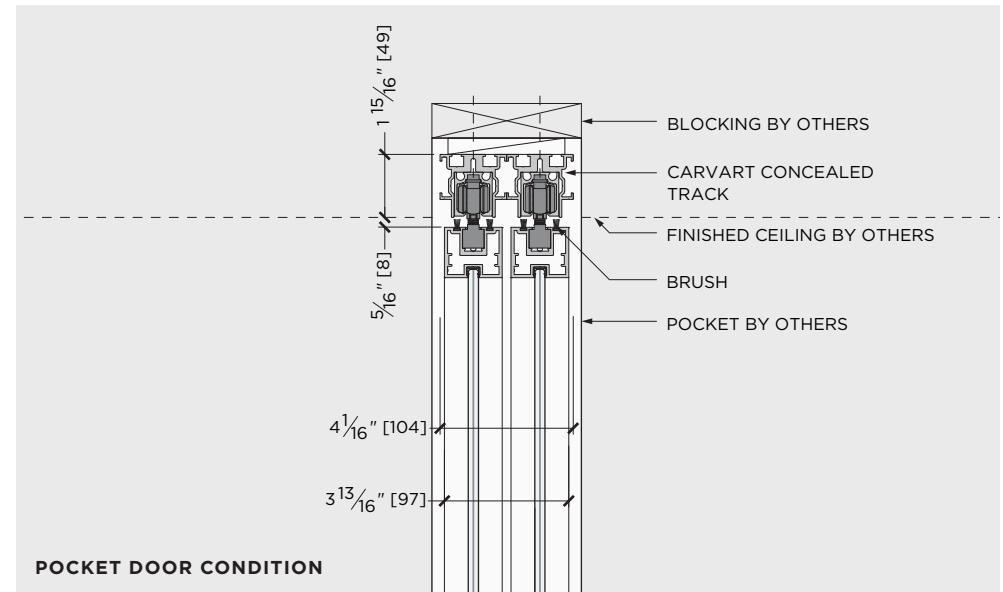
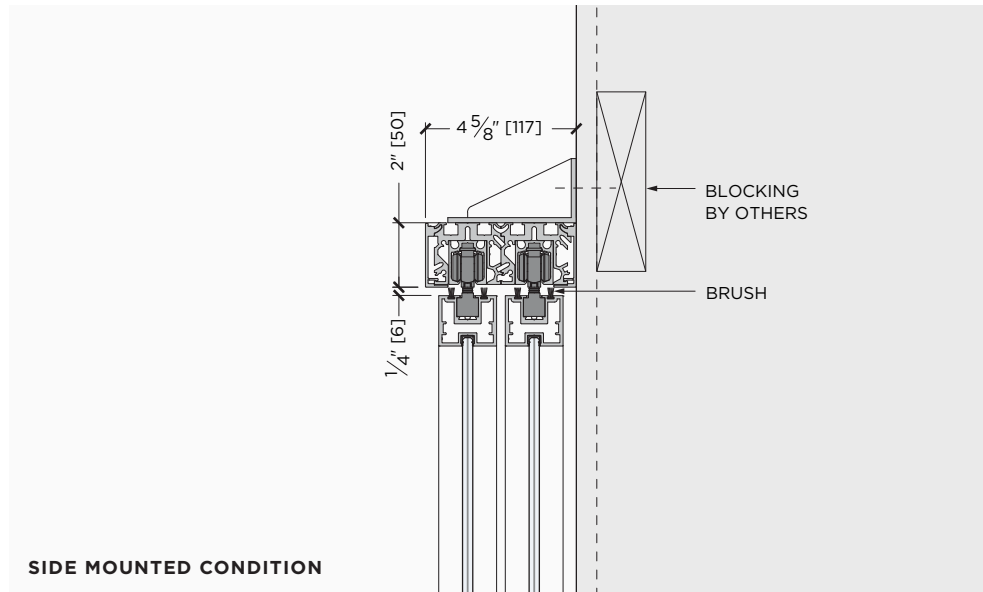


72"
LOCKING OR
NON-LOCKING

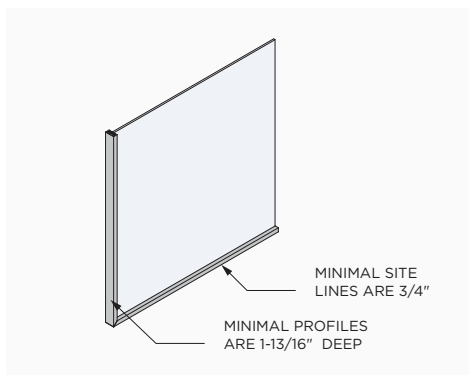


72"
CEILING
CONFIGURATION

Options: Mounts



Design appeal and detailing



MINIMAL DOOR PROFILES

CARVART prioritizes minimalism and durability for its products. Without compromising quality or structural integrity, profiles are built to be as small as possible. The Frameless system shows virtually no hardware, with only a 5-5/16" tall aluminum track exposed. Framed Single panels have 3/4" wide vertical frames and 1-9/16" high top and bottom profiles, while Framed Double panels have a thin 1/8" frame on all sides.

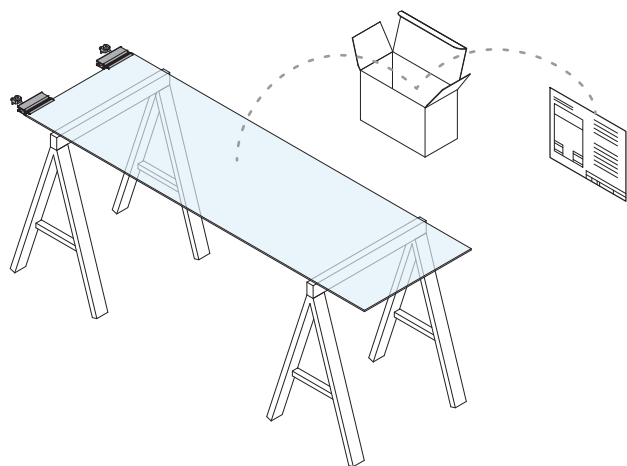
MINIMAL TOP MOUNTING DETAILING

CARVART's flexible configuration options such as concealed top mount, side mount and pocket door allows designers to further minimize hardware visibility.

WIDE CONTINUOUS OPENINGS

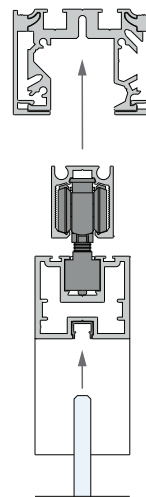
CARVART glassTELESCOPIC doors have the capacity to enclose up to a 24-foot wide opening. Fixed panels may be added to accommodate larger openings.

Ease of Installation



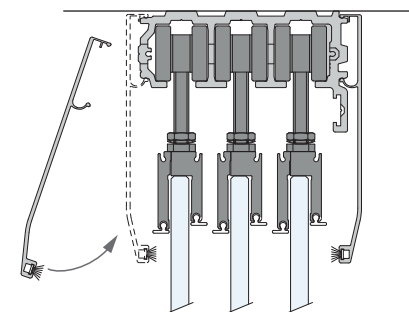
EASY PANEL ASSEMBLY

Glass panels and door hardware are pre-cut and custom-sized to each project's specifications. Top tracks may come oversized to accommodate job site variations, but remain easily adjustable with standard carpentry tools. Installation instructions are included with each system.



DRY-GLAZED DESIGN

All hardware systems are dry-glazed, without the hassle of silicone or adhesives. Select panels come pre-assembled and require only top track and trolley assembly.



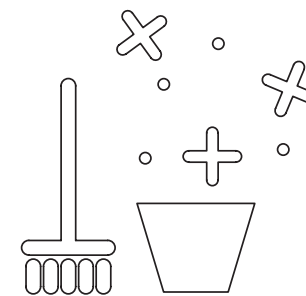
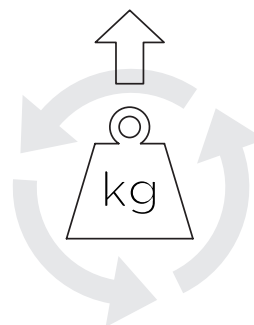
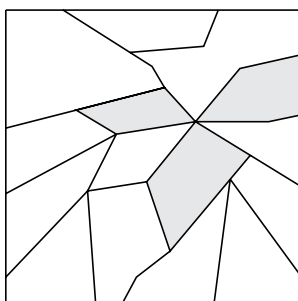
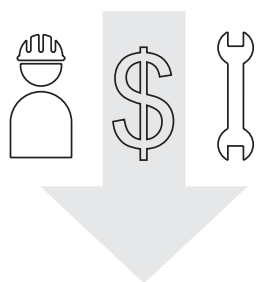
EASY-TO-HANG DOORS

All systems include features designed for efficient panel removal and replacement. The Frameless panels have a snap-on finish fascia providing easy access to all hardware, while Framed models have a secondary top extrusion that facilitates easy sequencing.

Life cycle maintenance

CARVART products are fully dry-glazed, eliminating the unnecessary labor and maintenance costs associated with standard sliding door systems. This, in conjunction with CARVART's reliable archive of shop drawings, allows for efficient replacement.

The hardware is cycle-tested at high frequencies to ensure durability, over-engineered strength and quality. Finally, products are easy to clean due to minimal profiles and overall limited hardware.



LOW LABOR COST

CARVART's products are engineered to be light-weight and ergonomic, facilitating installation and eliminating unnecessary labor costs due to complex assembly methods.

EASE OF REPLACEMENT

Snap-on finish fascia allows easy access to all hardware. Trollies are designed for efficient panel removal and replacement.

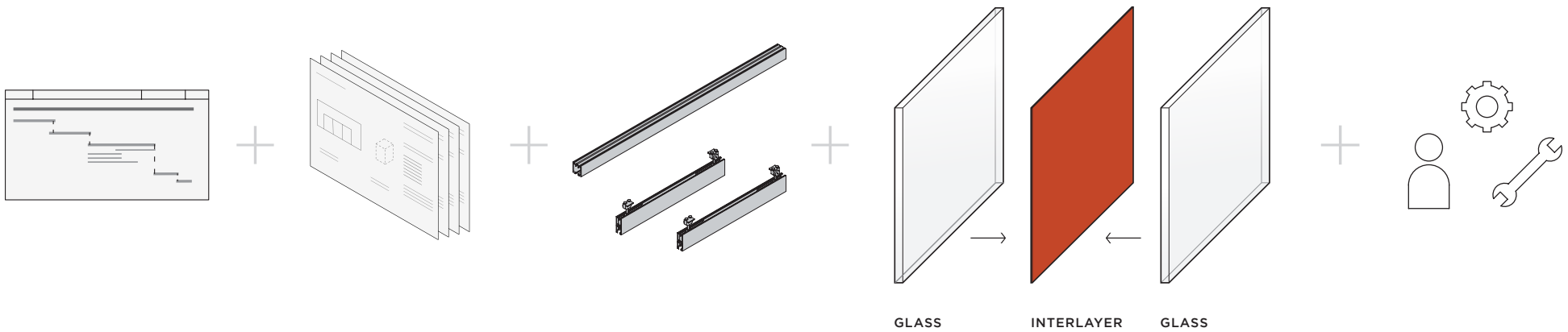
HIGH-CYCLE TESTED DURABILITY

All CARVART Movable Walls are cycle-tested to hundreds of thousands of cycles, and rated for weights that exceed beyond maximum panel size.

CLEANING AND MAINTENANCE

Once system is properly installed, virtually no maintenance is needed. Additionally, profiles have minimum reveals and crevices, significantly reducing dust collection.

Project management coordination



COORDINATION AND SHOP DRAWINGS

CARVART's dedicated project management team offers full coordination services to ensure timely delivery for each project.

Detailed shop drawings are available to facilitate trade and construction coordination.

HARDWARE

Provide full range of hardware options for infinite design and site conditions. Multiple design options.

GLASS DESIGN AND DEVELOPMENT

Architects can work closely with CARVART designers to choose from a unique set of glass products to accommodate any project.

TAILORED DIMENSIONS

Combining a wide range of hardware and glass products with custom sizing, CARVART has a solution for virtually any project's design, structural or performance needs.

WARRANTY AND POST-DELIVERY SERVICES

Post-delivery, installation guidance, facility maintenance, training and product replacement are all available through CARVART.

COREglass



COLORglass

Translucent Whites Laminated

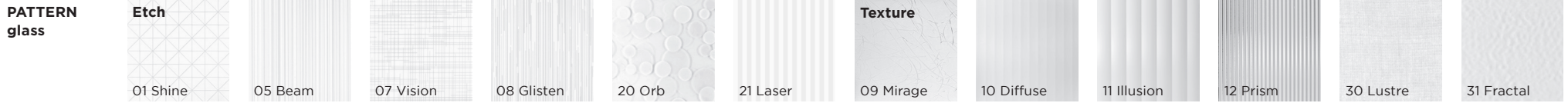


COLORglass

Transparent Laminated



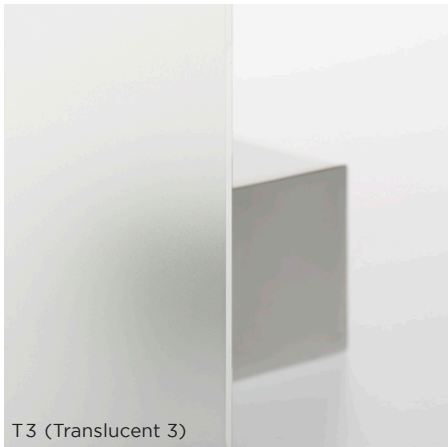
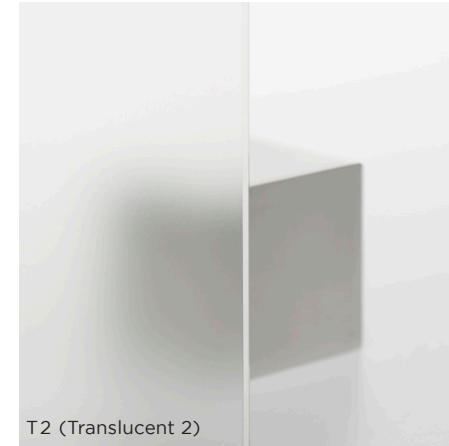
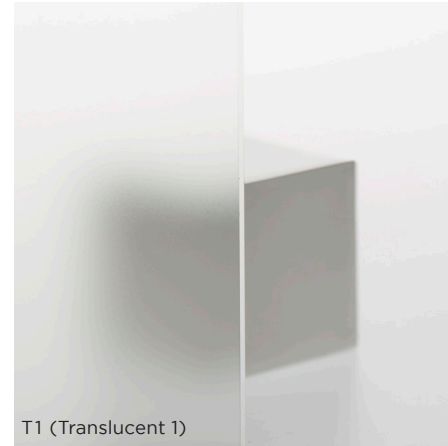
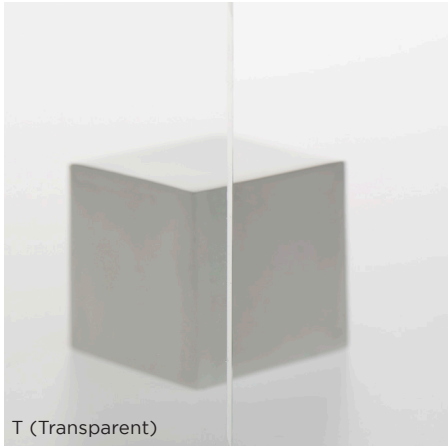
*Available as pre-assembled door products.



** Standard finish

Views

Shown in order
of lowest
to highest
translucency



CARVART®