

glassCUBE



CARVART's Portable series consists of two unique options, both of which cater to flexible, open spaces that require adaptable dividers, enclosures and storage components. The glassCUBE and glassPOST are highly flexible, easy to install and maintain a minimalist aesthetic. These space dividers and enclosures are free-standing and demountable, which facilitates creating spaces cohesive in both design and function. Additionally, these products are fully compatible with CARVART's Slim and Simple Office Fronts solutions.

Specifications

glassCUBE

CARVART's glassCUBE is a perfect solution for spaces that require flexible layout options while maintaining a sense of privacy. This freestanding solution is unique, as it requires minimal coordination efforts and architectural anchoring. Building renovations are made easy with this system, and facility managers have the freedom to reconfigure post-construction, without engaging contractors. The easily adjustable accessories can accommodate display walls in public receptions or lounge areas, dynamic work spaces, and retail spaces requiring storage. Like the glassPOST, accessories include shelves, cabinets, drawers and markerboards.

FACILITY DESIGN APPLICATIONS

Free-standing room enclosure, conference rooms, visually private offices, open office design, flexible configurations, truly demountable partitions and workstations, furniture-based space dividers, reception area, lounges, display walls, multiple adjoining enclosures.

CONFIGURATIONS

Standard Types

- O-shape Layouts – Fully Enclosed Freestanding
- U-shape Layouts – Semi-enclosed
- Freestanding U-shape Layouts – Semi-enclosed
- Wall-attached L-shape Layouts – Semi-enclosed
- Wall-attached
- T-shape
- Fronts-only

Standard Layout Sizes

- 84-9/16" x 84-9/16"
- 84-9/16" x 120"
- 120" x 120"
- **120" x 155-7/16"
- **155-7/16" x 155-7/16"
- **155-7/16" x 190-7/8"
- **190-7/8" x 190-7/8"

**Indicates configurations that require additional top bracing (shown on Standard Configurations page)

OPENINGS

Frameless sliding door, opening without door (single egress opening or full width opening)

FUNCTION

Sliding door integration (door location is flexible and can occur instead of typical panels and on corners)

GLASS TYPES

Refer to CARVART's Glass Collection

GLASS THICKNESS —

Refer to local code and structural requirements
Minimum: 3/8" nominal
Maximum: 9/16" nominal

HARDWARE MATERIALS/FINISHES —

Refer to Finish Chart
Standard Silver, Black and White Powder-coated.

VALUE-ADDED BENEFITS

- Multiple configuration options
- Flexible, free-standing system
- Easy installation with minimal architectural anchoring required
- Accommodates all needs: various accessory options
- System durability and long-term integrity
- Turnkey project services

PANEL WIDTHS

Standard panel width: 35-7/16"
Max width: 53-1/8"
(custom sizes available upon request and depending on engineering limits).

HEIGHTS — OVERALL MINIMUM/ MAXIMUM RANGE (inches):

Standard height: 96"
Custom heights: Up to max of 108"

MOUNTING FASTENERS

No architectural anchors/fasteners to surrounding building components for free-standing glassCUBE configurations.
Wall anchoring for Corner, T-shape and U-shape configurations are the installer's responsibility and dependent on anchoring substrate.
Ceiling mounting for drop-ceiling may require additional top bracing, not provided by CARVART. CARVART advisory and coordination available.

WEIGHT & STRUCTURAL LOADS —

Consult local engineer for structural codes and requirements
Refer to CARVART for technical consultation.

ADD-ON DESIGN OPTIONS —

Per specification and upcharges apply
Shelf, surface bracket, drawer, cabinet, marker

board, accessories, sliding doors.

CUSTOMIZATION

Heights, configurations and post spacing.
Glass and hardware finishes.

INSTALLATION

Easy-to-install machine screws, dry-glazed spider fittings for glass mounting.

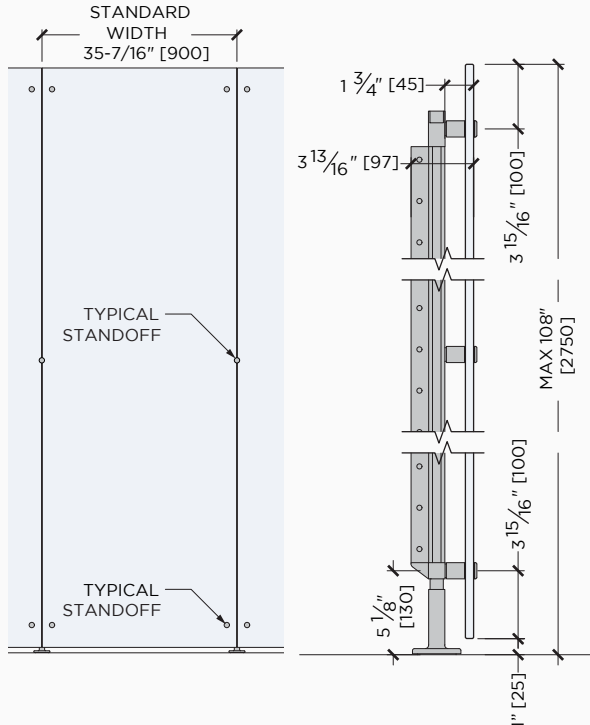
Requires trained and competent glazing or carpentry industry professionals. Installation instructions, assistance and training available at time of order.

HARDWARE WARRANTY —

1-year limited warranty.

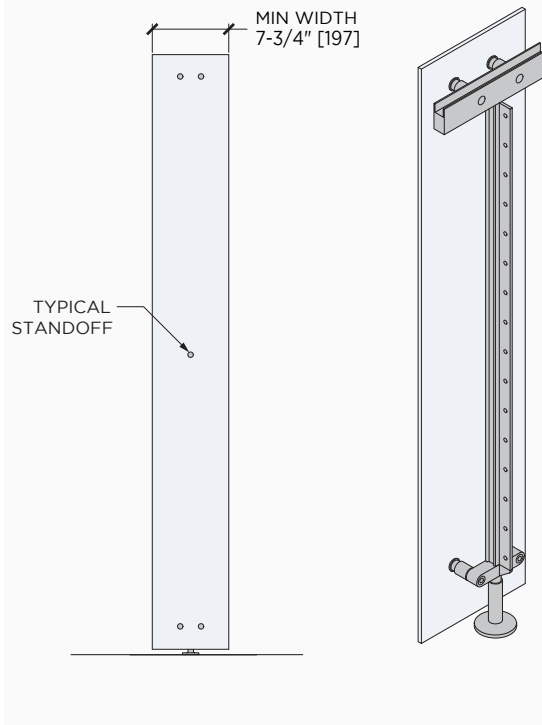
For more info, contact CARVART Sales Advisory Team at quotes@carvart.com or call us at 212 675 0030.

Details: glassCUBE



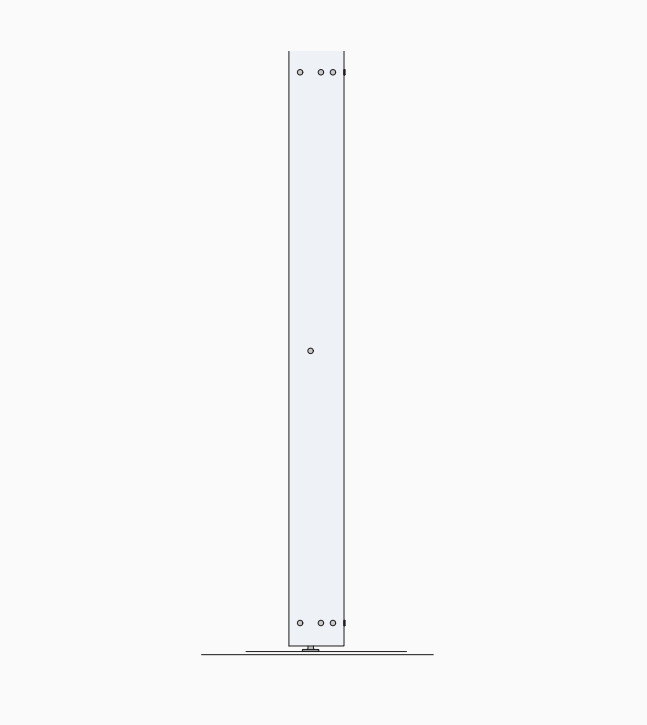
TYPICAL PANEL @ FRONT ELEVATION

TYPICAL PANEL @ VERTICAL SECTION

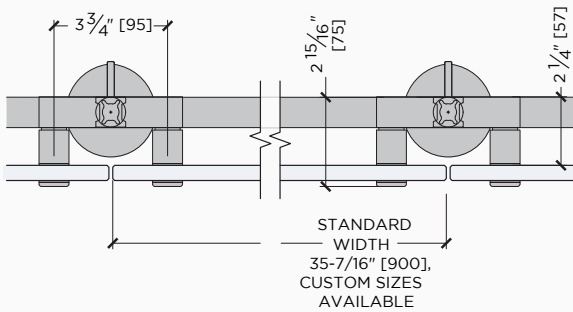


PILASTER ELEVATION

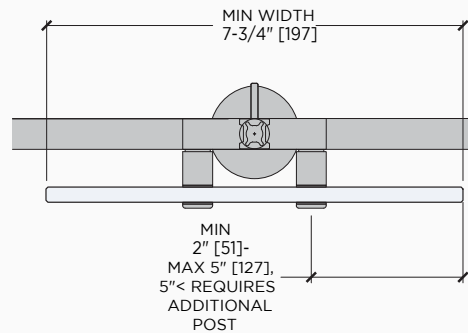
3D VERTICAL POST



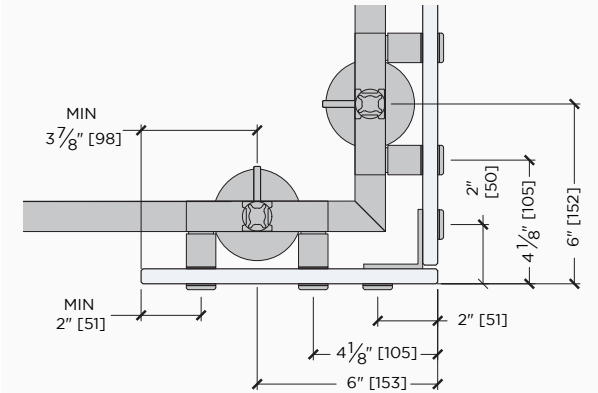
CORNER PANEL ELEVATION



HORIZONTAL DETAIL @ TYPICAL PANEL



TYPICAL PLAN @ VERTICAL POST

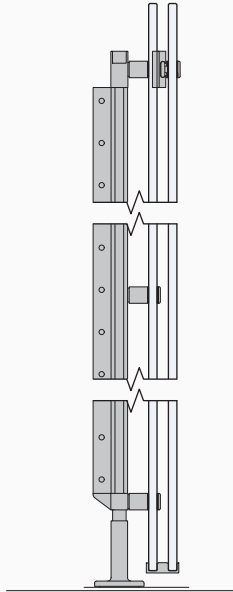
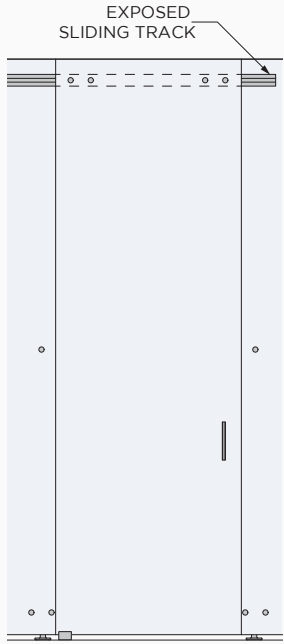


DETAIL @ CORNER

Details: glassCUBE doors and pulls

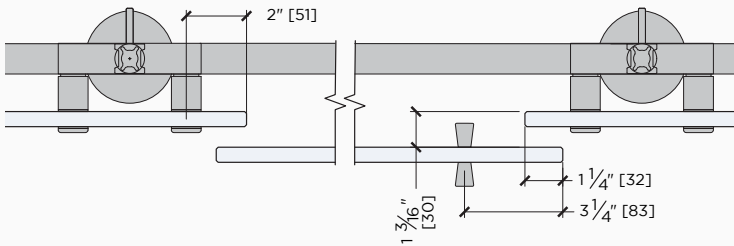
Ladder pulls available in:

- Multiple finishes (see chart)
- ADA configurations
- Locking/non-locking



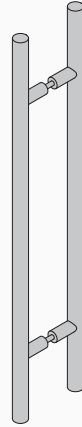
**TYPICAL PANEL
@ FRONT ELEVATION**

**TYPICAL PANEL
@ VERTICAL SECTION**



TYPICAL PANEL @ HORIZONTAL SECTION

LADDER PULLS



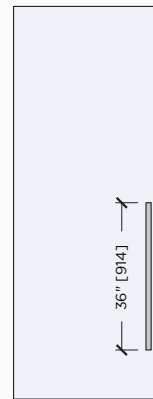
**BACK-TO-BACK
NON-LOCKING**



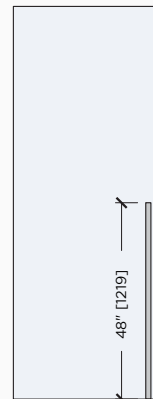
**BACK-TO-BACK
LOCKING**



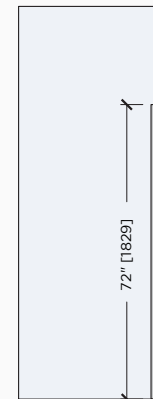
24"
NON-LOCKING



36"
NON-LOCKING

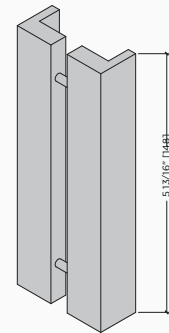
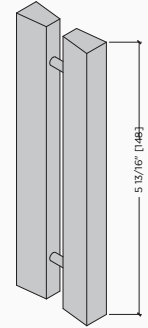


48"
LOCKING OR
NON-LOCKING

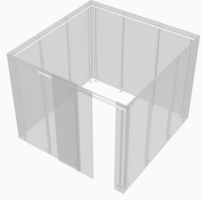


72"
LOCKING OR
NON-LOCKING

BAR PULLS



Standard configurations



O-shape Freestanding



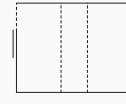
84-9/16" x 84-9/16"



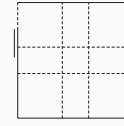
84-9/16" x 120"



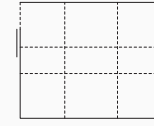
120" x 120"



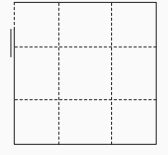
120" x 155-7/16"



155-7/16" x 155-7/16"



155-7/16" x 190-7/8"



190-7/8" x 190-7/8"



U-shape Freestanding



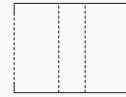
84-9/16" x 84-9/16"



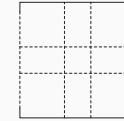
84-9/16" x 120"



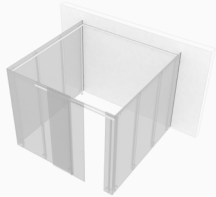
120" x 120"



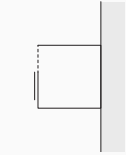
120" x 155-7/16"



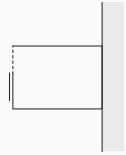
155-7/16" x 155-7/16"



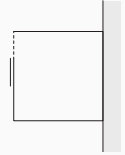
U-shape Wall-Mounted



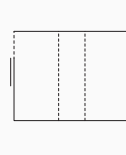
84-9/16" x 84-9/16"



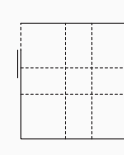
84-9/16" x 120"



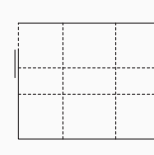
120" x 120"



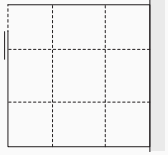
120" x 155-7/16"



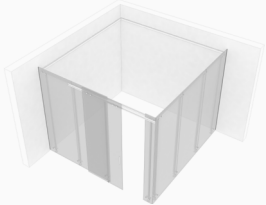
155-7/16" x 155-7/16"



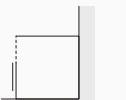
155-7/16" x 190-7/8"



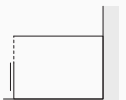
190-7/8" x 190-7/8"



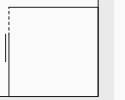
L-shape Wall-Mounted



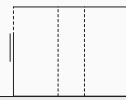
84-9/16" x 84-9/16"



84-9/16" x 120"



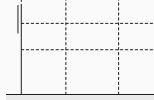
120" x 120"



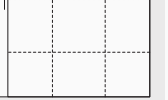
120" x 155-7/16"



155-7/16" x 155-7/16"



155-7/16" x 190-7/8"



190-7/8" x 190-7/8"



T-shape



84-9/16" x 120"



120" x 120"



120" x 155-7/16"



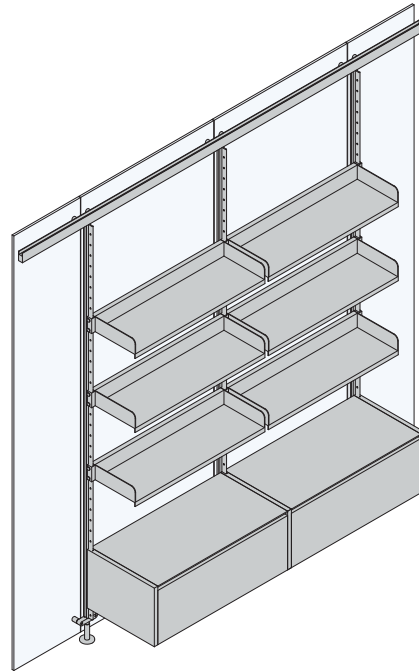
120" x 190-7/8"

Features: Accessories

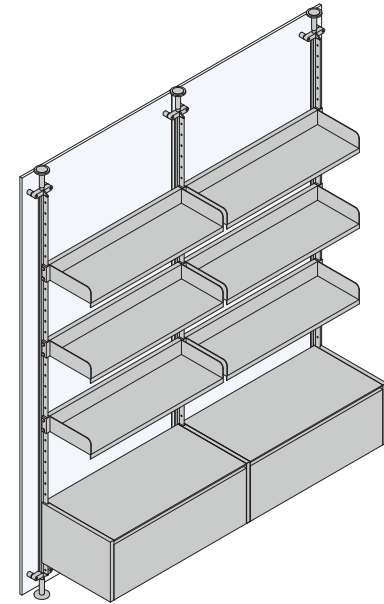
ACCESSORIES

Designed as a modular system, CARVART's Portable products are compatible with a variety of CARVART accessories. This allows architects and designers to personalize any space with shelves, cabinets, drawers, work-surfaces and markerboards.

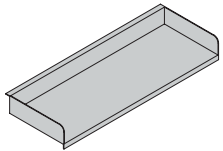
The glassCUBE and glassPOST are two of CARVART's most adaptable products, as they guarantee post-installation adjustability as well as a wide choice of options for end-user customization. These accessories are also compatible with CARVART Office Fronts.



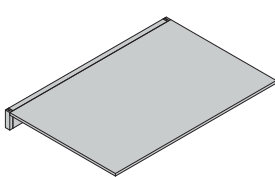
glassCUBE



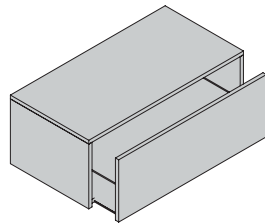
glassPOST



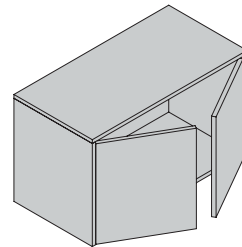
1 Shelf
Available in 35-7/16" [900]
53-1/8" [1350]



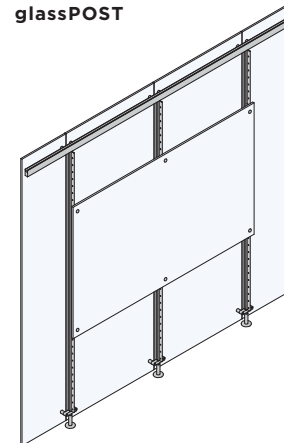
2 Workstation bracket
Available in 35-7/16" [900]
(Surface not supplied by CARVART)



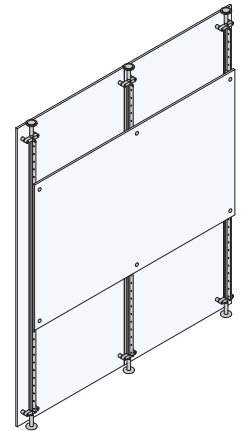
3 Drawer
Available in 35-7/16" [900]



4 Cabinet
Available in 35-7/16" [900]



5 Board

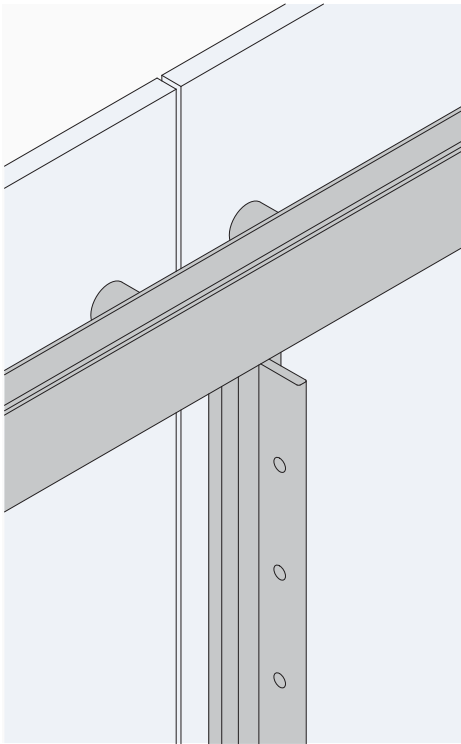


Features: Multiple attachment types

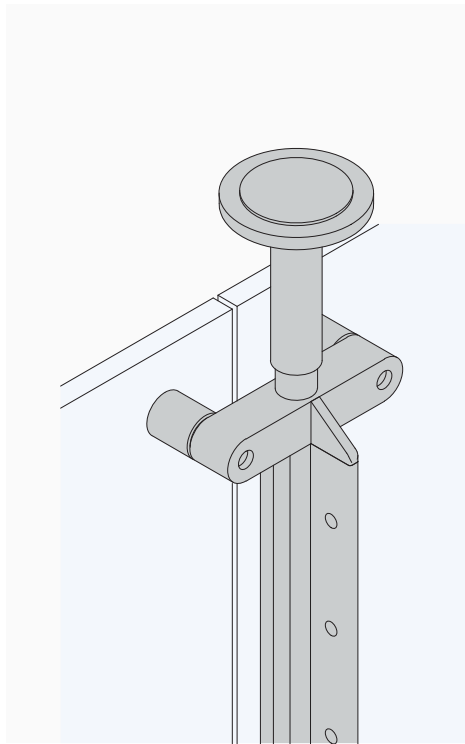
ATTACHMENT METHODS

CARVART's Portable series has a wide variety of attachment methods: ceiling-mounted (2ft. vertical extension optional), wall-mounted and free-standing. Except for certain glassCUBE configurations and the wall-mounted glassPOST, no architectural anchoring is required for these truly demountable and reusable systems.

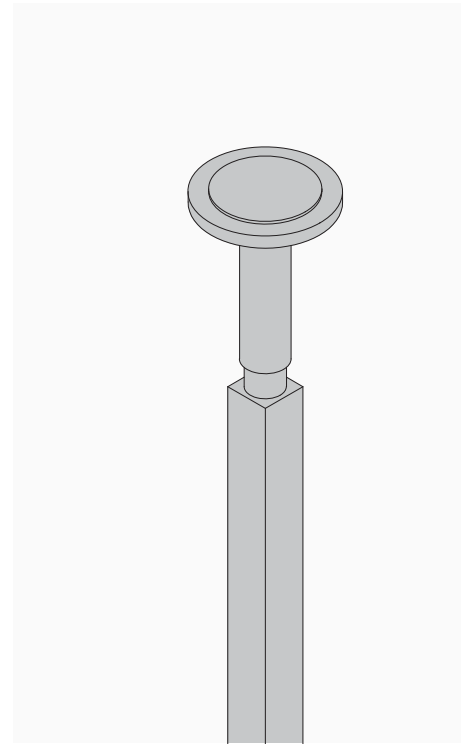
The glassCUBE and glassPOST are not only adaptable to unique spatial conditions, but also perfect for dynamic flex-spaces.



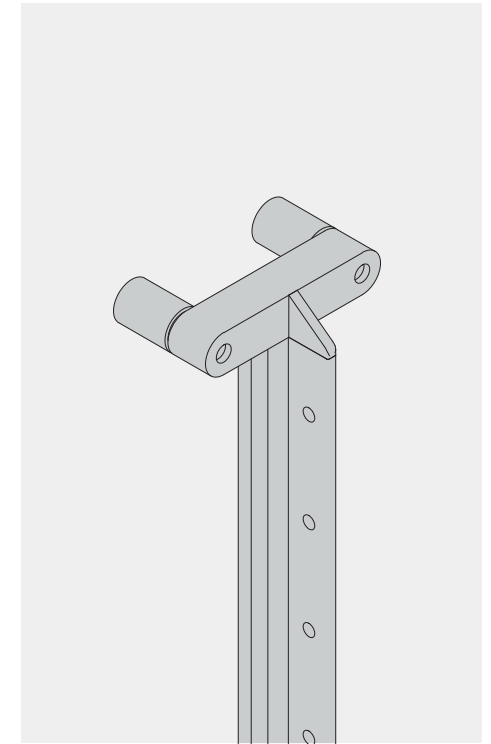
glassCUBE > FREE STANDING



glassPOST > CEILING MOUNT



glassPOST > CEILING MOUNT
WITH EXTENSION

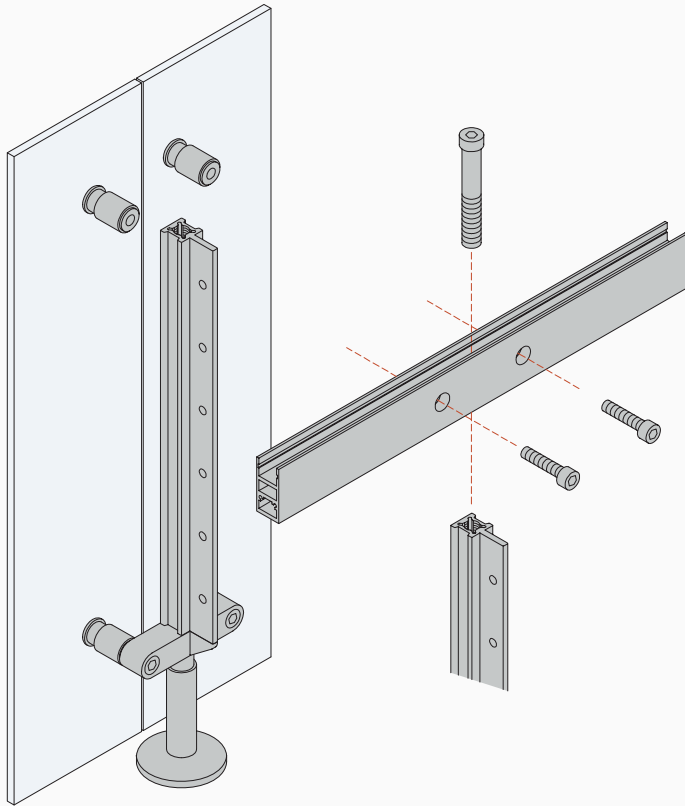


glassPOST > WALL MOUNT

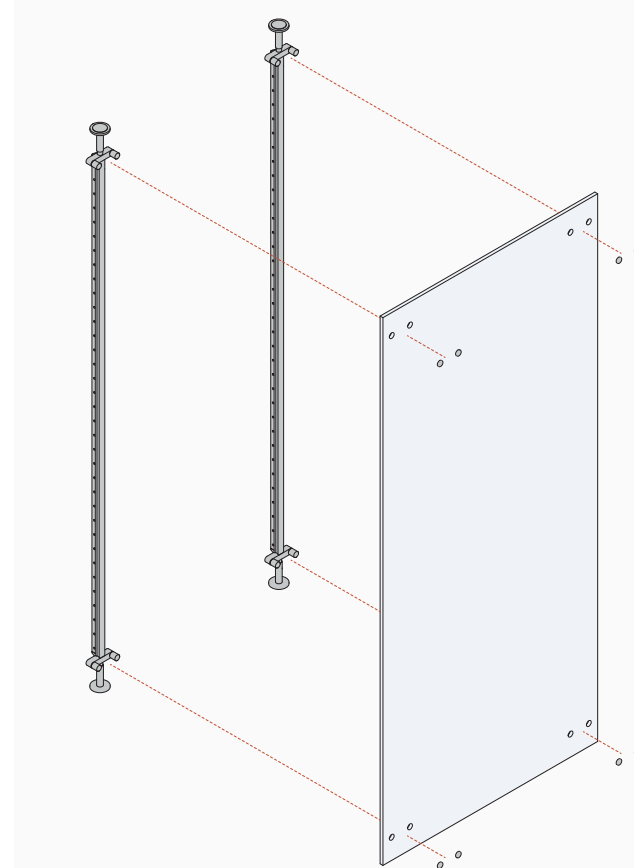
Features: Ease of install

DEMOUNTABLE + EASE OF INSTALL

The glassCUBE and glassPOST hardware allows for fast and efficient installation. With multiple mounting options and post-installation vertical adjustability of +/- 7/16", this system can easily accommodate various environments and conditions. No architectural anchoring is required for CARVART Portable products, making them a viable option for navigating around existing mechanical and plumbing systems.



glassCUBE



glassPOST

Overview

CURATED HARDWARE FINISHES

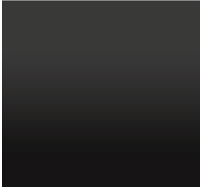

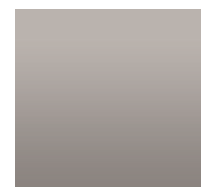

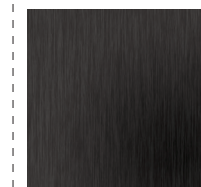


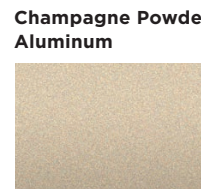

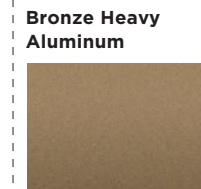
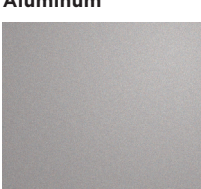

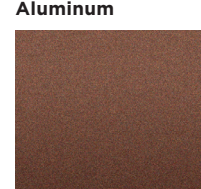
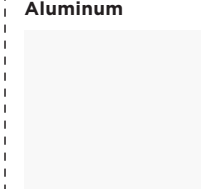
CARVART's team and resources bring an innovative spirit and celebrates the creative process. Our strength is solving design challenges with sophisticated detailing, engineering and a cohesive blend of materials and hardware finishes across CARVART's minimalist interior and exterior architectural products and systems.

CARVART empowers the creative process by curating hardware system finishes from natural anodized aluminum with polish, satin, brushed, antiqued, blackened and other elegant techniques as well as the option to select any RAL color for powder coating.

GUIDELINES

- Hardware finishes appropriate for each system may vary in color, type and other properties.
- Explore finish options below and consult with a CARVART team member for custom capabilities.

visit carvart.com/materials

<p>Black Powder Coat Aluminum</p> 	<p>Midnight Powder Coat Aluminum</p> 	<p>Warm Grey Powder Coat Aluminum</p> 	<p>Satin Anodized Aluminum</p> 	<p>Blackened Aluminum</p> 
<p>White Powder Coat Aluminum</p> 	<p>Charcoal Powder Coat Aluminum</p> 	<p>Champagne Powder Coat Aluminum</p> 	<p>Brushed "Stinless" Aluminum</p> 	<p>Bronze Heavy Aluminum</p> 
<p>Metallic Silver Powder Coat Aluminum</p> 	<p>Light Grey Powder Coat Aluminum</p> 	<p>Terra Cotta Powder Coat Aluminum</p> 	<p>Polished Aluminum</p> 	

Overview

CURATED MATERIALS

CARVART's team and resources bring an innovative spirit and celebrates the creative process. Our strength is solving design challenges with sophisticated detailing, engineering and a cohesive blend of materials across CARVART's minimalist interior and exterior architectural products and hardware systems.

CARVART empowers the creative process by curating an inspiring material offering of glass, stone, wood, CHPL, metals, meshes, textiles and more with patterns, textures, finishes and levels of transparency and reflectivity that allows creators to accurately envision their design.

GUIDELINES

- Materials appropriate for each system vary in size, thickness, type, weight and other associated properties.
- Explore each material for inspiration at carvart.com/materials and see full material palettes.
- Due to the various ways of creating with these materials, please consult a CARVART team member to ensure your material is best suited for a specific architectural product application.
- Materials can be integrated into CARVART's architectural system or available in sheets.

visit carvart.com/materials

GLASS



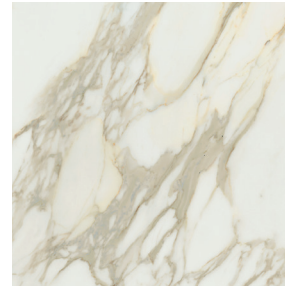
Color
Translucency & Reflectivity
Interlayer
Pattern & Texture
CARVART Digital Experience

CHPL



Color
Woodgrain
Rock
Metal
Polaris

STONE



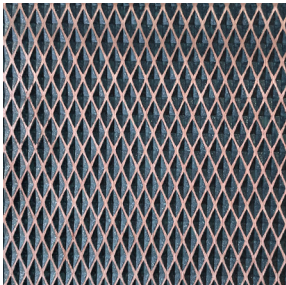
Porcelain

WOOD



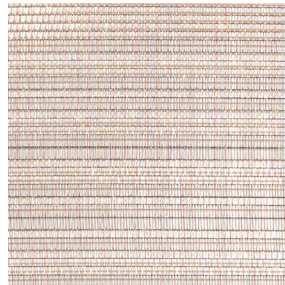
Natural Veneer
Reconstituted Veneer
Perforation Patterns

METAL



Copper
Plated
Powder Coated

MESH



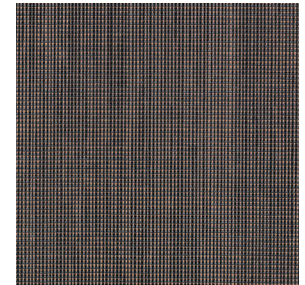
Glass Interlayer
Wire Mesh

TEXTILE



Acoustical
COM

WALL COVERING



Acoustical
COM

CARVART®