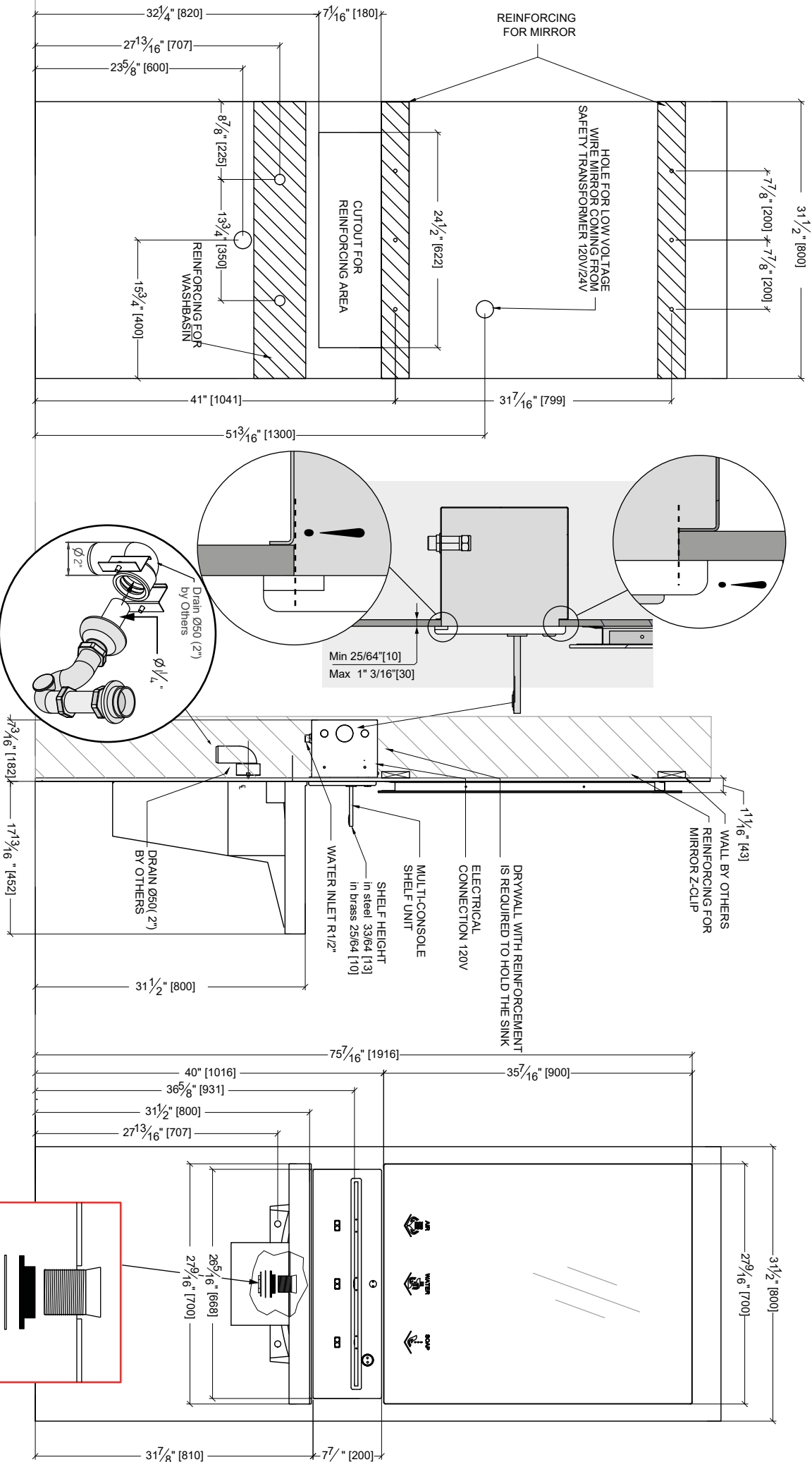


placement

ADA compatible



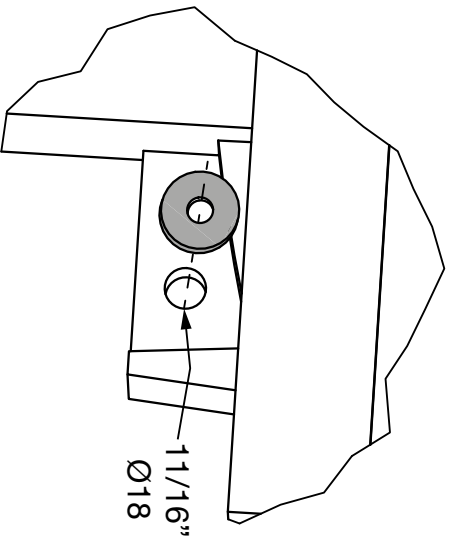
SOEMA s.r.l.
Zona Ind.le Squarabue
62019 Recanati (MC) IT
P.IVA 00894890433

T 071-7506061 / 81
F 071-7506063
www.soemait
info@soemait

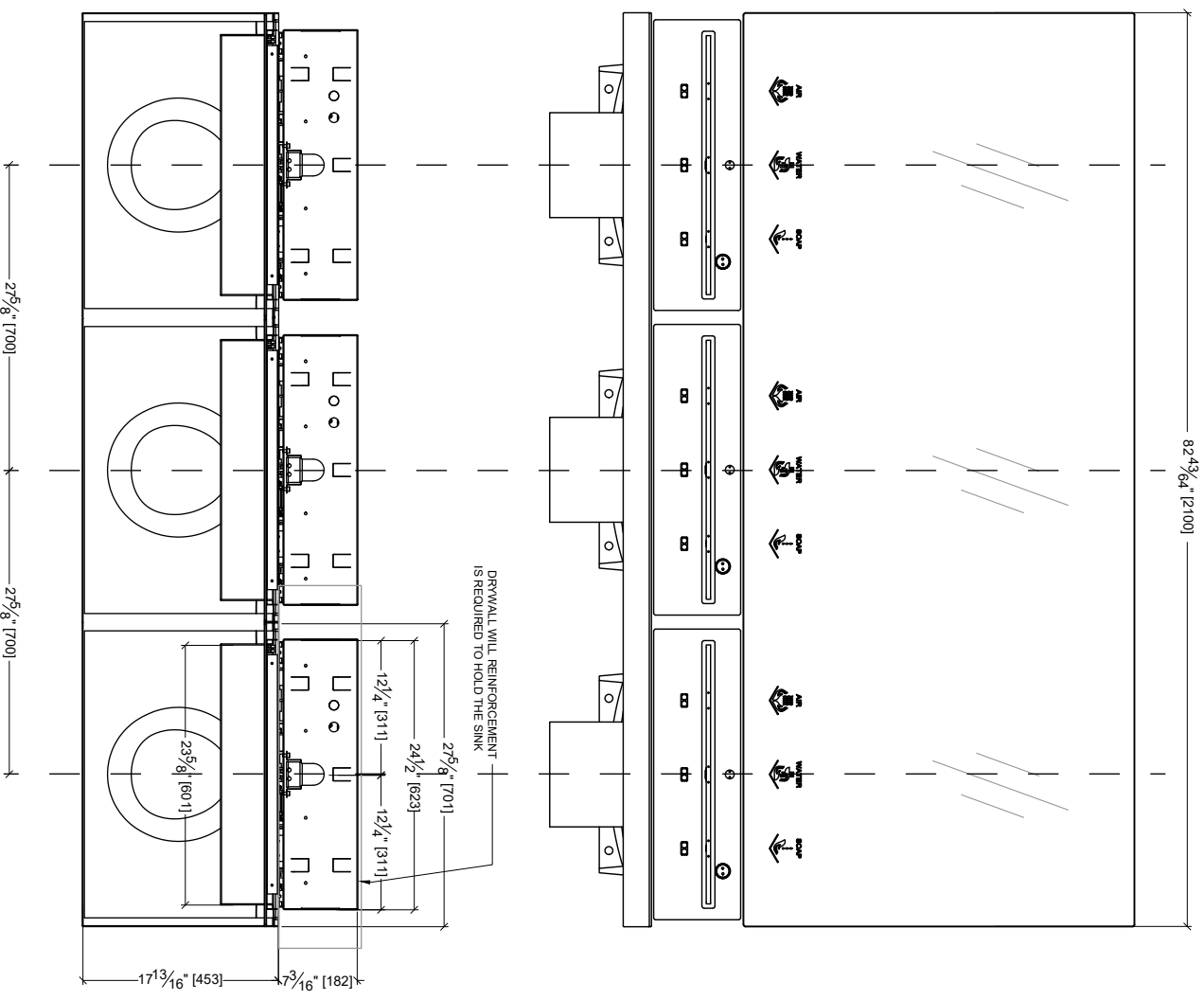
Caution: do not tighten too much-risk of damaging the basin

N.B.1 Protective washers are supplied; to prevent breakage they must always be applied between the screw heads and the sink.

N.B.2 The supplied material include 2 wall fixing kit; it must be appropriately chosen according to the wall structure. The wall structure must withstand the load a normal sink is subjected to



Cable:
Mirror(12Vac): 2x1,5(AWG16)
Color Light:
(COOL WHITE 5700÷6300°K)
Multiconsole:
120V= 3x2,5(AWG14)



CARVART® MULTICONSOLE

TYPE-A

BY
SOEMA®
Handcrafted Technology

Series MULTICONSOLE/INTEGRA



CHARACTERISTICS:

SUPPLY: 120V 60HZ

TAP/FAUCET OPERATING PRESSURE: 14.5-145 PSI (1-10 BAR)

TAP/FAUCET WATER FLOW : 43.5 PSI, 1.3-1.6 GAL/MIN (3 BAR 5-6L/MIN)

MAX POWER: 620 W (5,2A)

TRAITS:

ALIMENTATION: 120V 60HZ

ROBINET PRESSION DE SERVICE: 14.5-145 PSI (1-10 BAR)

ROBINET L'ÉCOULEMENT DEL'EAU: 43.5 PSI, 1.3-1.6 GAL/MIN (3 BAR 5-6L/MIN)

PUISSANCE MAXIMUM: 620 W (5,2A)

CAUTION - ATTENTION:

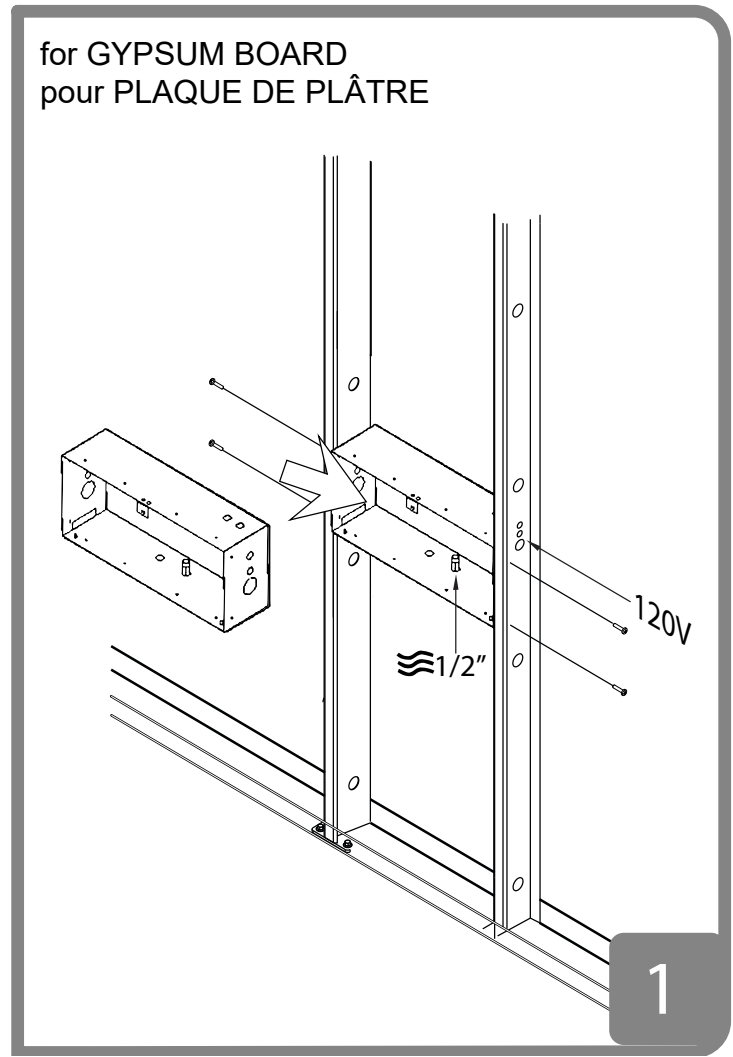
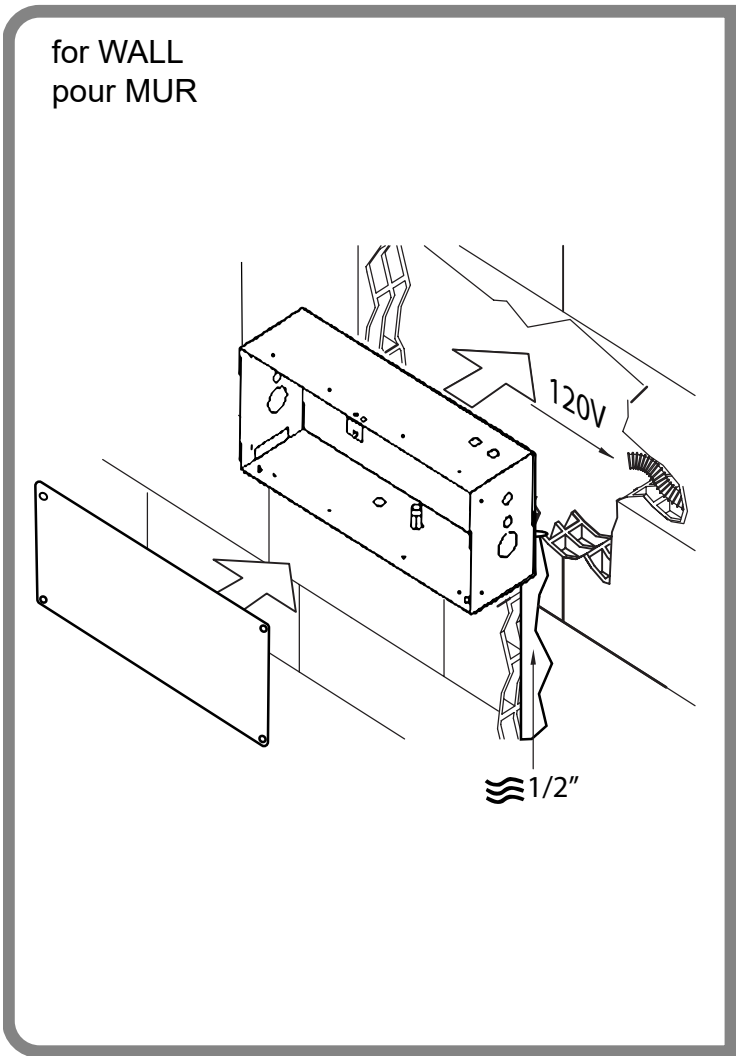
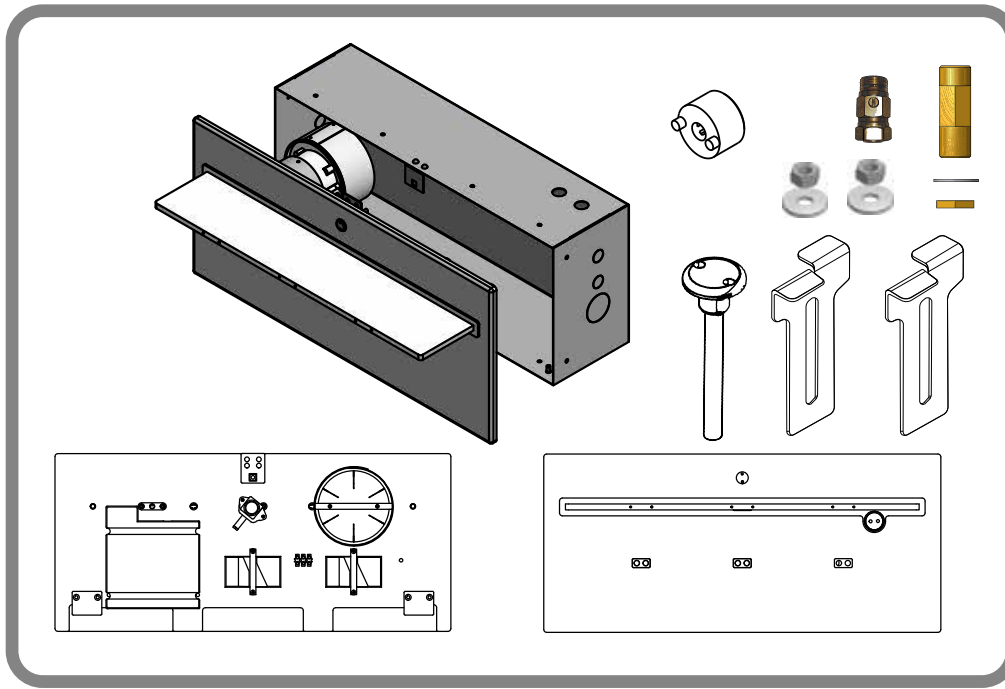
CAUTION - TO REDUCE THE RISK OF ELECTRICAL SHOCK, DISCONNECT POWER BEFORE SERVICING.

MISE EN GARDE - POUR RÉDUIRE LE RISQUE DE CHOC ÉLECTRIQUE, DÉBRANCHER L'ALIMENTATION AVANT L'ENTRETIEN.

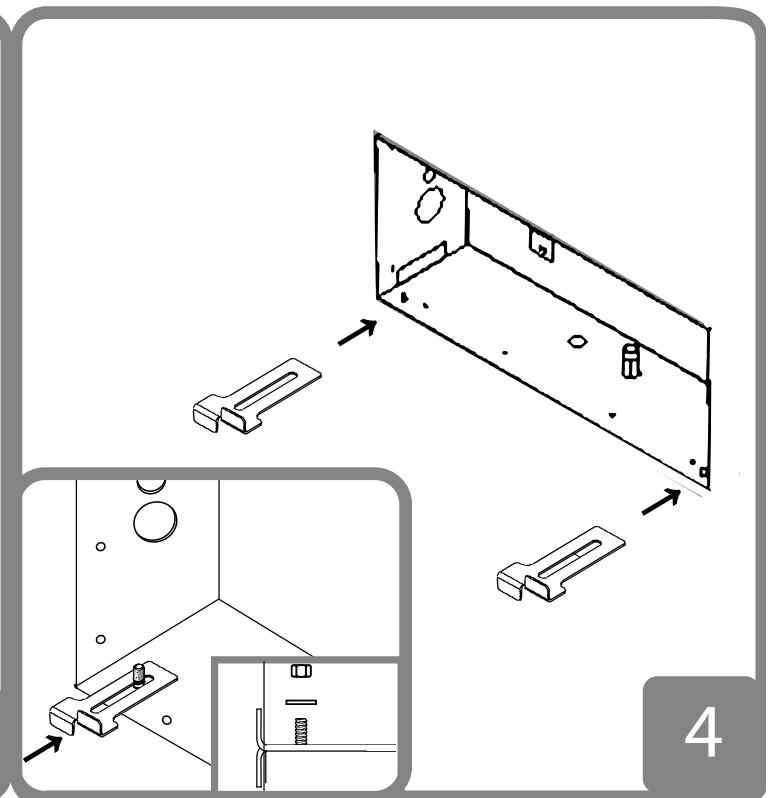
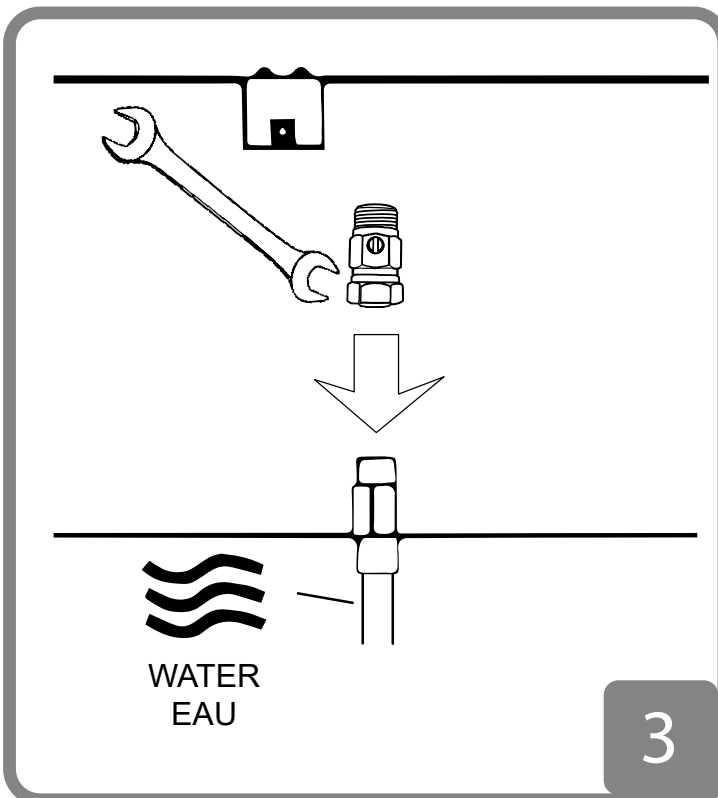
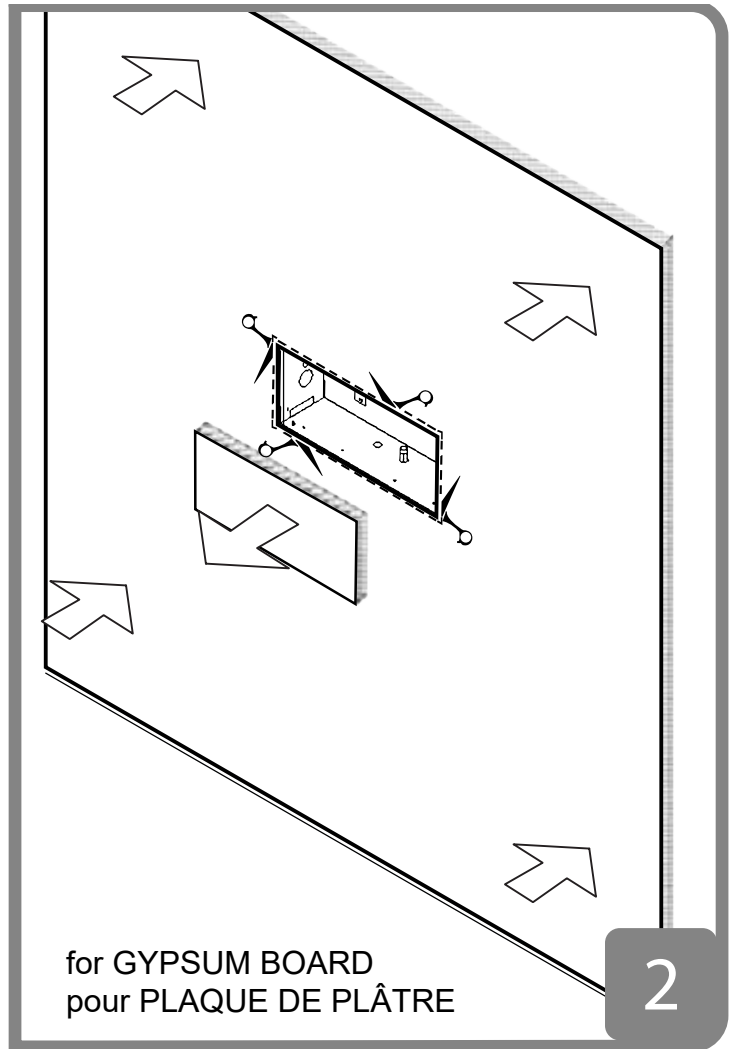
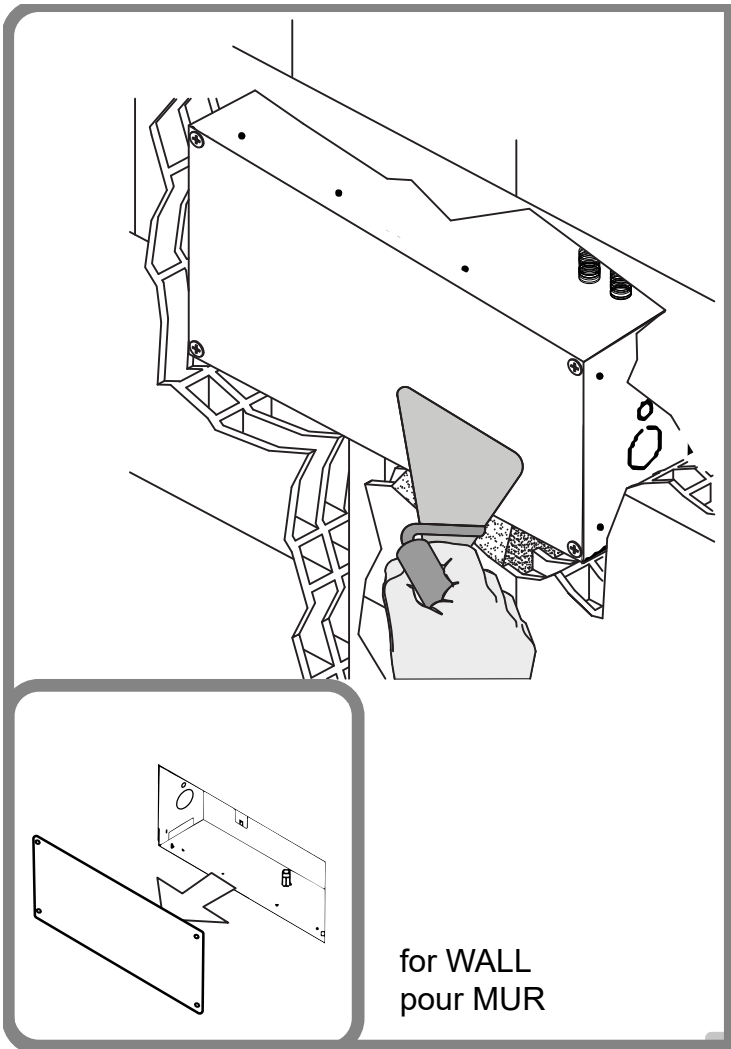
WARNING: IF CONNECTION IS MADE TO A POTABLE WATER SYSTEM, THE SYSTEM SHALL BE PROTECTED AGAINST BACKFLOW.

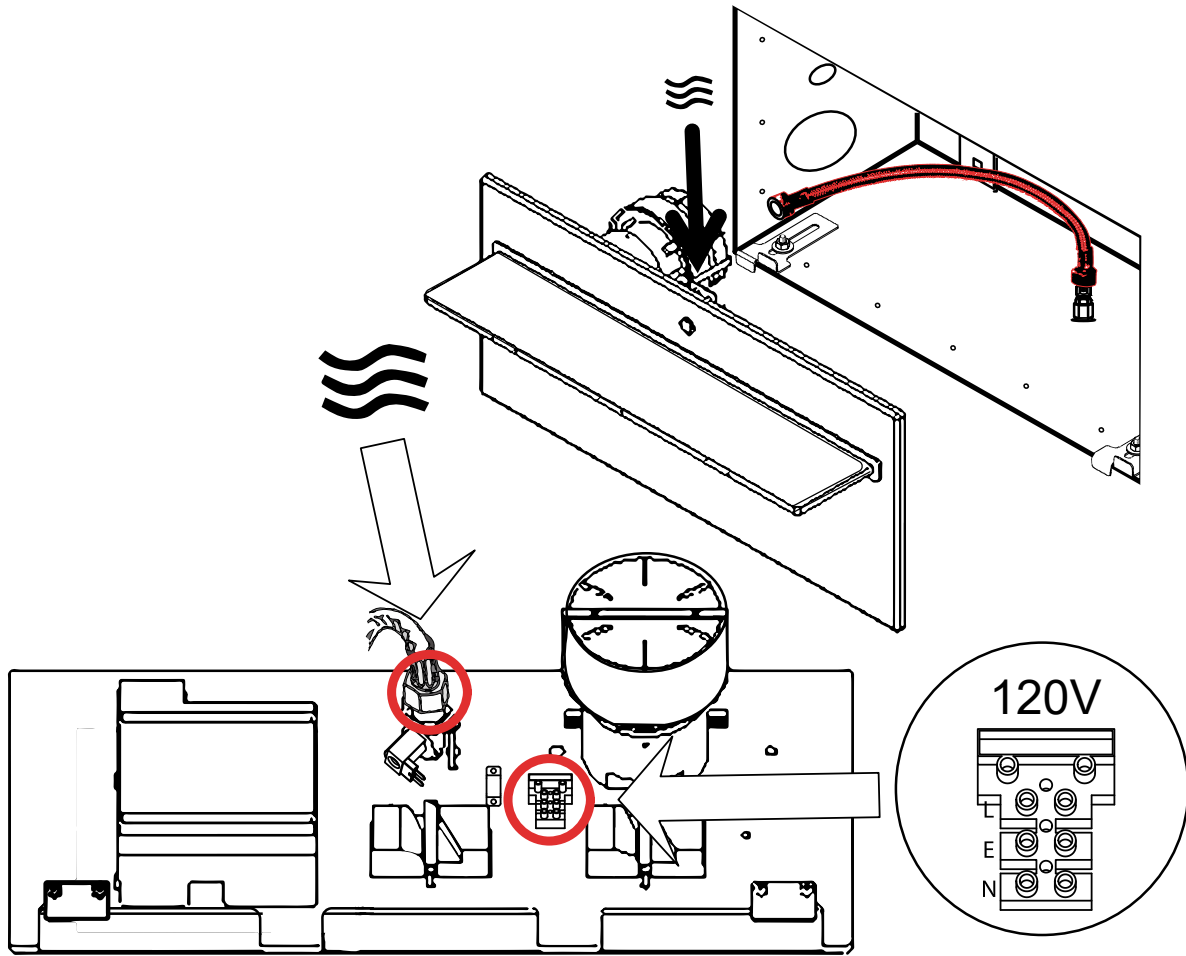
ATTENTION: SILA CONNEXION EST FAITE À UN SYSTÈME D'EAU POTABLE, LE SYSTÈME DOIT ÊTRE PROTÉGÉ CONTRE LES RETOURNEMENTS.

FOR INDOOR USE - POUR UNE UTILISATION INTÉRIEURE.

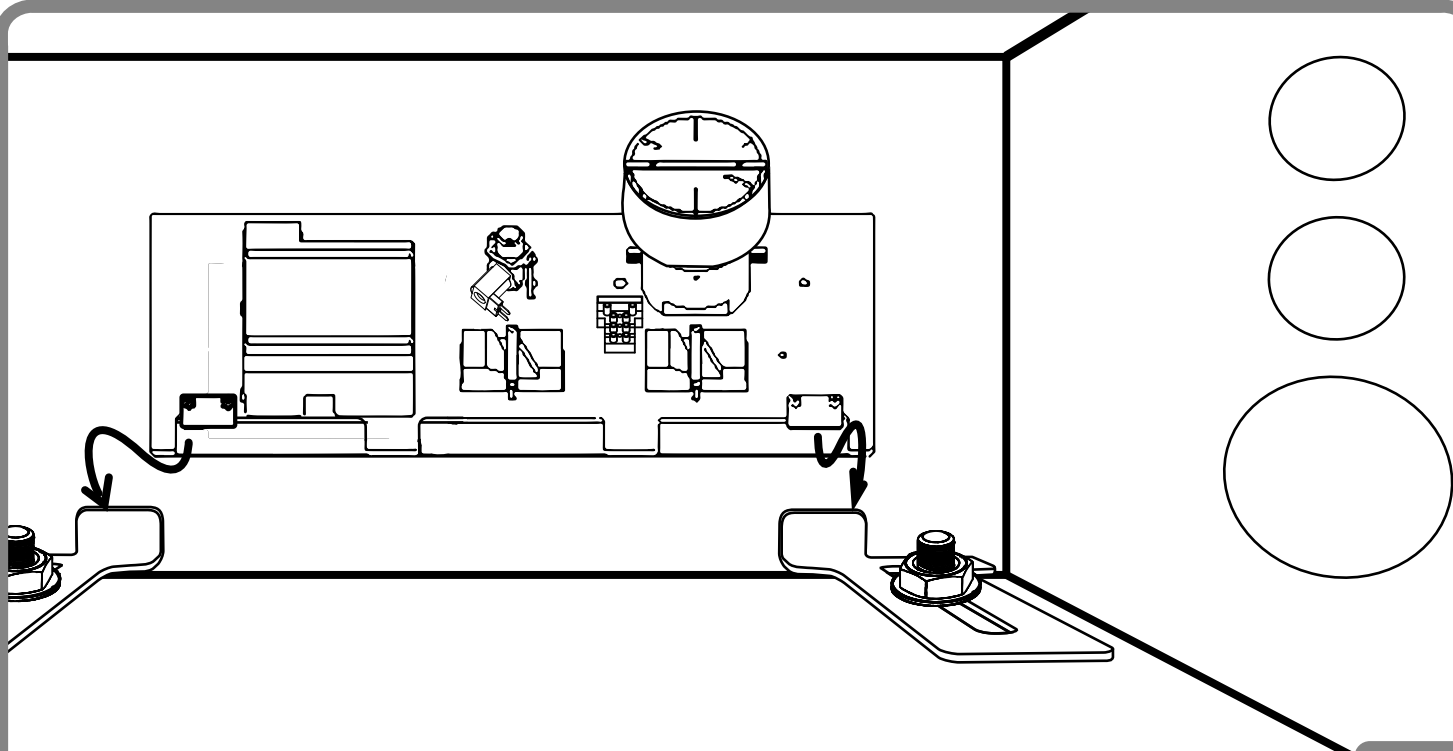


1

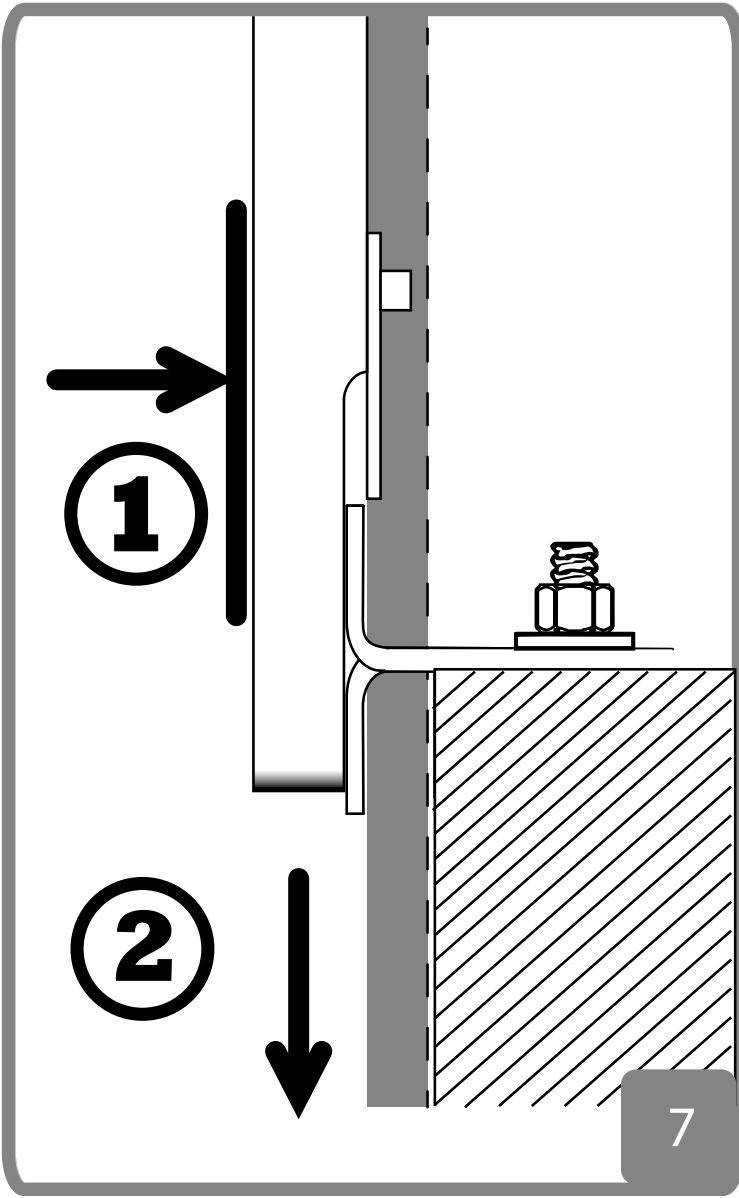




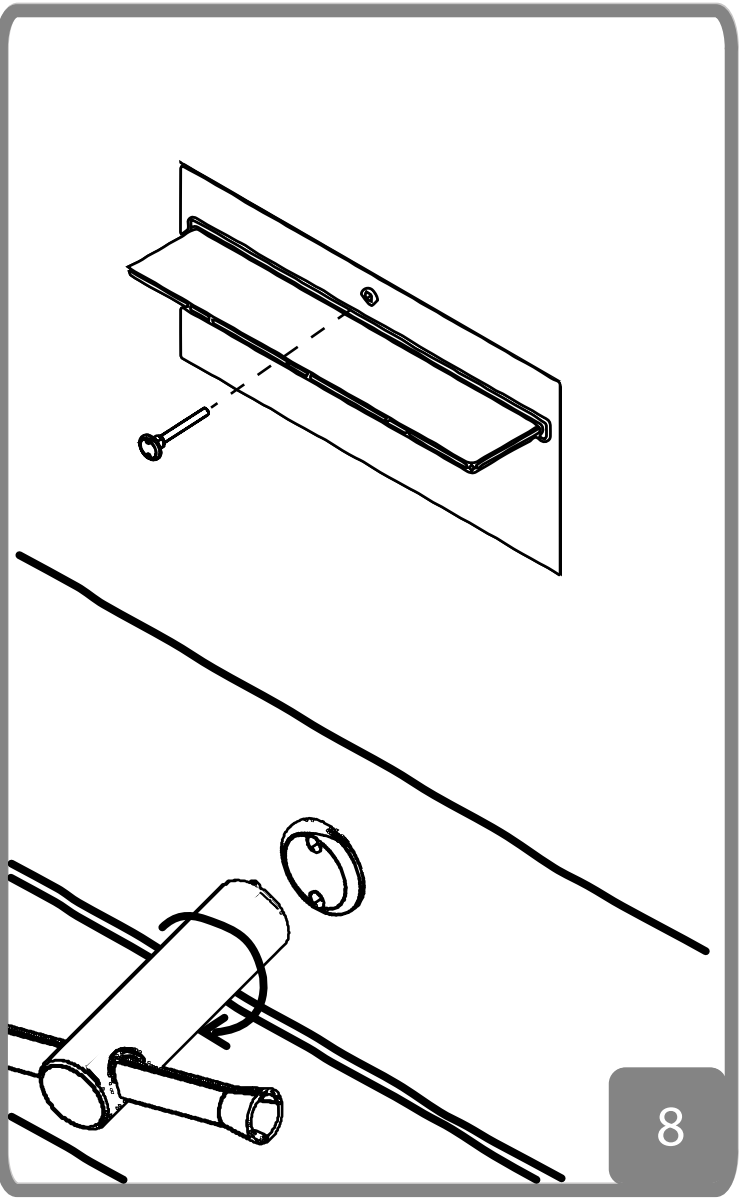
5



6



7



8